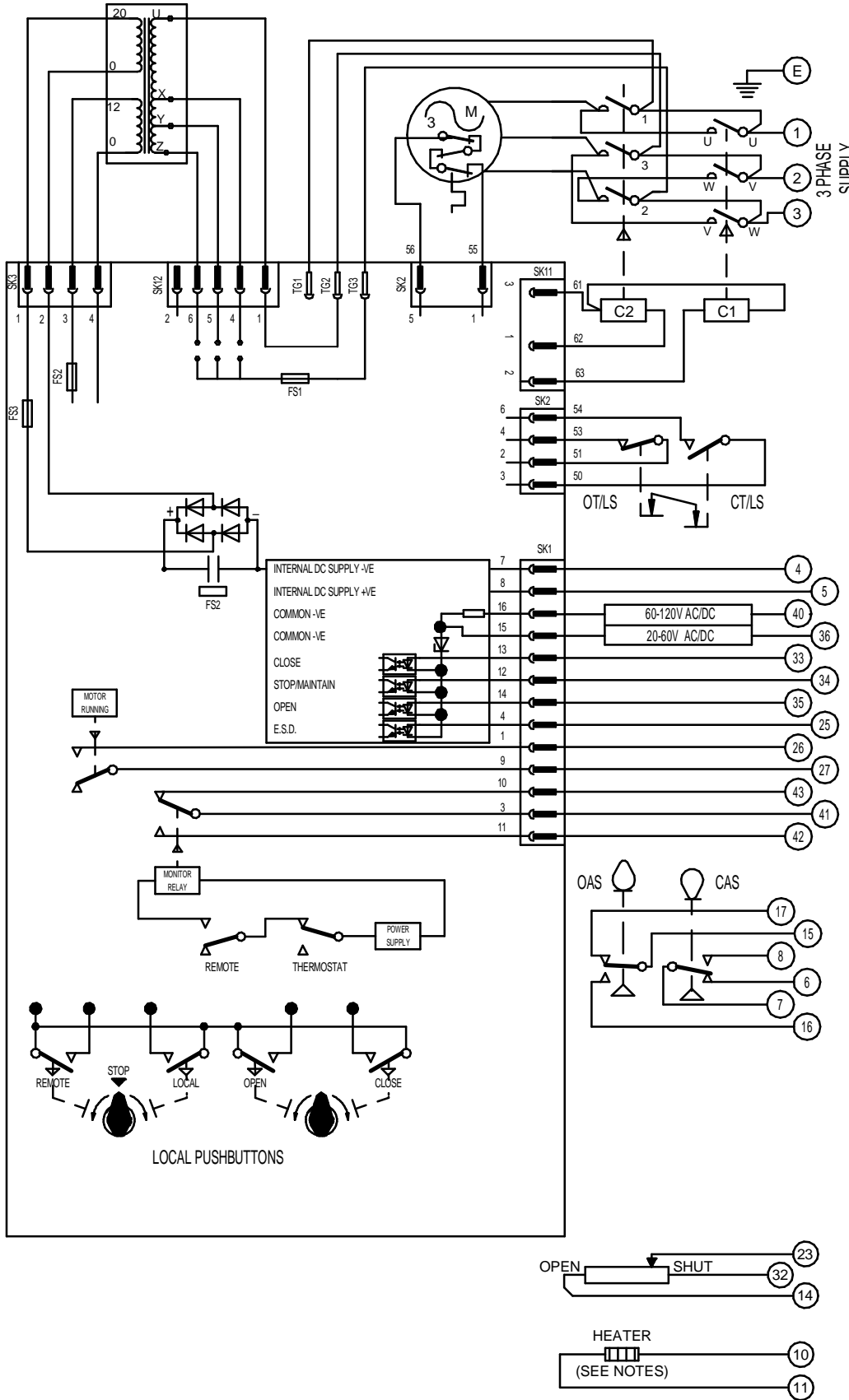


CIRCUIT IS DRAWN FOR A VALVE IN THE FULLY CLOSED POSITION

Circuit Diagram No - Issue No

6P32Q00 - 01



TRANSFORMER TAPPING OPTIONS

TAP	NOM50/60HZ	50HZ	60HZ
X	380/440	342-418	396-484
Y	400/460	360-440	414-506
Z	415/480	373-457	432-528

JUMPER AT LK2 FOR TAPPING X
 JUMPER AT LK3 FOR TAPPING Y
 JUMPER AT LK4 FOR TAPPING Z

OT/LS - OPEN TORQUE/LIMIT SWITCH.
 CT/LS - CLOSE TORQUE/LIMIT SWITCH.
 OAS - OPEN AUXILIARY SWITCH.
 CAS - CLOSE AUXILIARY SWITCH.

WIRES ARE IDENTIFIED AT EACH END BY
 TERMINAL NUMBER OR NUMBER SHOWN.

FS1 - 100 mA
 FS2 - 1 A
 FS3 - 250 mA
 TERMINALS 4 & 5 FUSED
 INTERNALLY AT 160mA

E.S.D. CONTROL SIGNAL VOLTAGE MUST
 BE EQUAL TO OR GREATER THAN ALL
 OTHER CONTROL SIGNAL VOLTAGES.

12W (MAX) HEATER FITTED AS STANDARD.
 UNLESS OTHERWISE REQUESTED, HEATERS
 FITTED WILL BE : 240V (5.62K OHM).

Iss	Date	Chkd	Revision Details
01	120218	JS	FIRST ISSUE

centork
 ROTORK CONTROLS (INDIA) PRIVATE LTD
 28B, AMBATTUR INDUSTRIAL ESTATE (NORTH),
 AMBATTUR, CHENNAI - 600 098 INDIA.
 Tel:044-39555600

Q-PAK + POT + HEATER
 Drawn by: JS
 Date : 120218
 Base WD: 6P00Q00
 Job No : --
 MI No : --

Circuit Diagram No	Issue No
6P32Q00	1