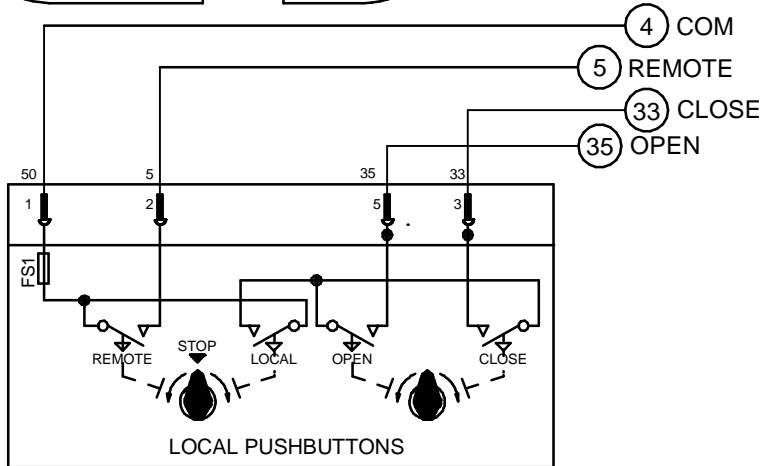
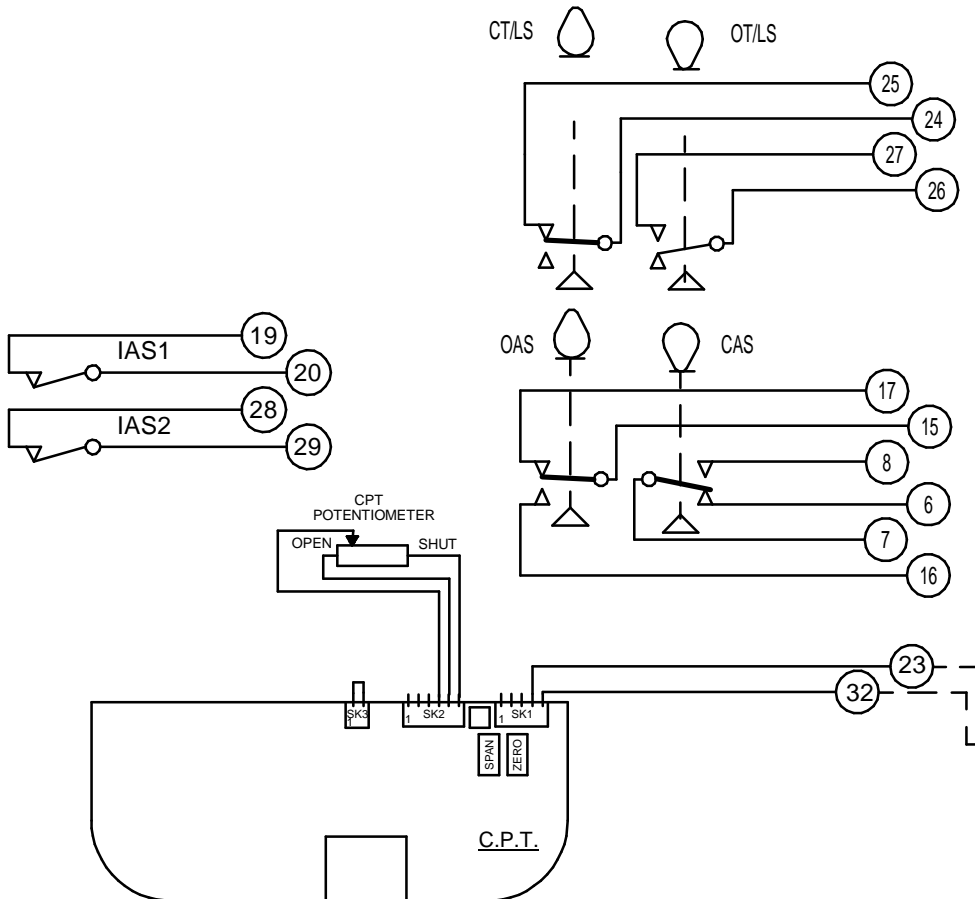
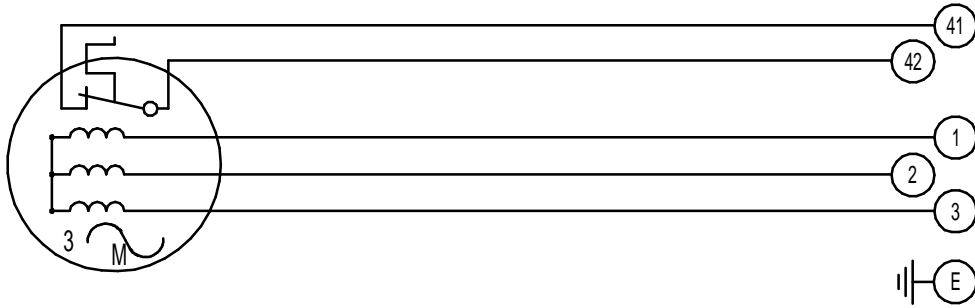


CIRCUIT IS DRAWN FOR A VALVE IN THE FULLY CLOSED POSITION

CIRCUIT IS DRAWN FOR A VALVE IN THE FULLY CLOSED POSITION

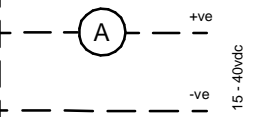


Circuit Diagram No - Issue No
5P06Q30A - 2

THERMOSTAT

3 PHASE SUPPLY

OT/LS - OPEN TORQUE/LIMIT SWITCH.
CT/LS - CLOSE TORQUE/LIMIT SWITCH.
OAS - OPEN AUXILIARY SWITCH.
CAS - CLOSE AUXILIARY SWITCH.
IAS1 & 2 - INTERMEDIATE AUXILIARY SWITCHES ADJUSTABLE TO MAKE OR BREAK INDIVIDUALLY AT ANY POSITION.



WIRES ARE IDENTIFIED AT EACH END BY TERMINAL NUMBER OR NUMBER SHOWN.
ALLOW MINIMUM 2 SECOND DELAY WHEN CONTROL SIGNALS ARE REVERSED TO ENSURE MOTOR REVERSAL.

WARNING

IT IS ESSENTIAL THAT REMOTE CONTROL CIRCUITS ARE DESIGNED SO THAT AN OPEN AND A CLOSE SIGNAL CAN NEVER BE APPLIED SIMULTANEOUSLY.

Iss	Date	Chkd	Revision Details
01	130418	JS	FIRST PRODUCTION ISSUE
02	270319	JS	Tstat Terminals was 33 & 35

centork
 ROTORK CONTROLS (INDIA) PRIVATE LTD
 28B, AMBATTUR INDUSTRIAL ESTATE (NORTH),
 AMBATTUR, CHENNAI - 600 098 INDIA.
 Tel:044-39555600

Q - 3 PH. + P. BUTTON + POT + EXT POWER CPT +INTERMEDIATE SW.	Drawn by: JS Date : 130418 Base WD: 5S00Q00 Job No : --- MI No : .	Circuit Diagram No 5P06Q30A	Issue No 2
---	--	---------------------------------------	----------------------