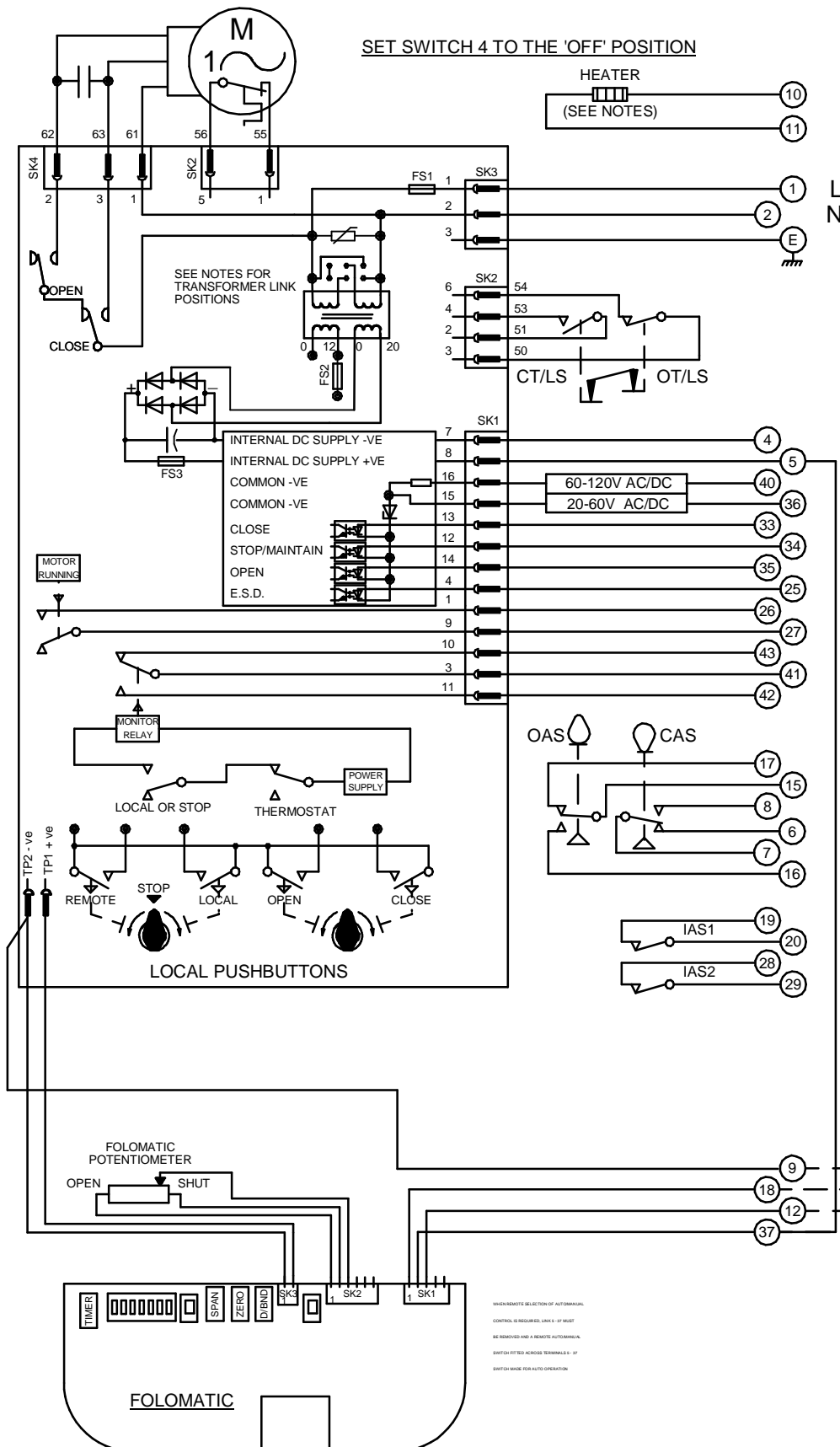


CIRCUIT IS DRAWN FOR A VALVE IN THE FULLY CLOSED POSITION

Circuit Diagram No - Issue No

1P36Q70A - 04



TRANSFORMER VOLTAGE SELECTION



SET SWITCH AS ABOVE FOR 198V - 264V SUPPLIES



SET SWITCH AS ABOVE FOR 99V - 132V SUPPLIES

- OT/LS - OPEN TORQUE/LIMIT SWITCH.
- CT/LS - CLOSE TORQUE/LIMIT SWITCH.
- OAS - OPEN AUXILIARY SWITCH.
- CAS - CLOSE AUXILIARY SWITCH.
- IAS1 & 2 - INTERMEDIATE AUXILIARY SWITCHES ADJUSTABLE TO MAKE OR BREAK INDIVIDUALLY AT ANY POSITION.
- WIRES ARE IDENTIFIED AT EACH END BY TERMINAL NUMBER OR NUMBER SHOWN.

- FS1 - 6.3A
- FS2 - 250mA
- FS3 - 160mA
- TERMINALS 4 & 5 FUSED INTERNALLY AT 160mA
- 12W (MAX) HEATER FITTED AS STANDARD. UNLESS OTHERWISE REQUESTED, HEATERS FITTED WILL BE :
- 120V (2K OHM) OR 240V (5.62K OHM).
- E.S.D. CONTROL SIGNAL VOLTAGE MUST BE EQUAL TO OR GREATER THAN ALL OTHER CONTROL SIGNAL VOLTAGES.

ANALOGUE INPUTS (FOR DETAILS, SEE ROTORK PUBLICATION AE4/0.1)
-- MANUAL/AUTO.

WHEN REMOTE SELECTION OF AUTOMANUAL CONTROL IS REQUIRED, LINK 4 - 17 MUST BE REMOVED AND A REMOTE AUTOMANUAL SWITCH FITTED ACROSS TERMINALS 1 - 17 SWITCH MADE FOR AUTO OPERATION

Iss	Date	Chkd	Revision Details
03	220192	T.W	SIMILAR TO 1P36Q70A JOB NO --- SK1 & SK4 PIN NOD CORRECTED. CHECKED K.S.
04	270417	JS	FUSE RATING & TRANSFORMER VOLTAGE SELECTION CHANGED AS PER NEW PCB ECN / 7023

centork

ROTORK CONTROLS (INDIA) PRIVATE LTD
28B, AMBATTUR INDUSTRIAL ESTATE (NORTH),
AMBATTUR, CHENNAI - 600 098 INDIA.
Tel:044-39555600

Q-PAK + POT. + HEATER + FOLOMATIC

Drawn by: T.A
Date : 260391
Base WD: 1P36Q70A
Job No : --
MI No : .

Circuit Diagram No Issue No
1P36Q70A 4