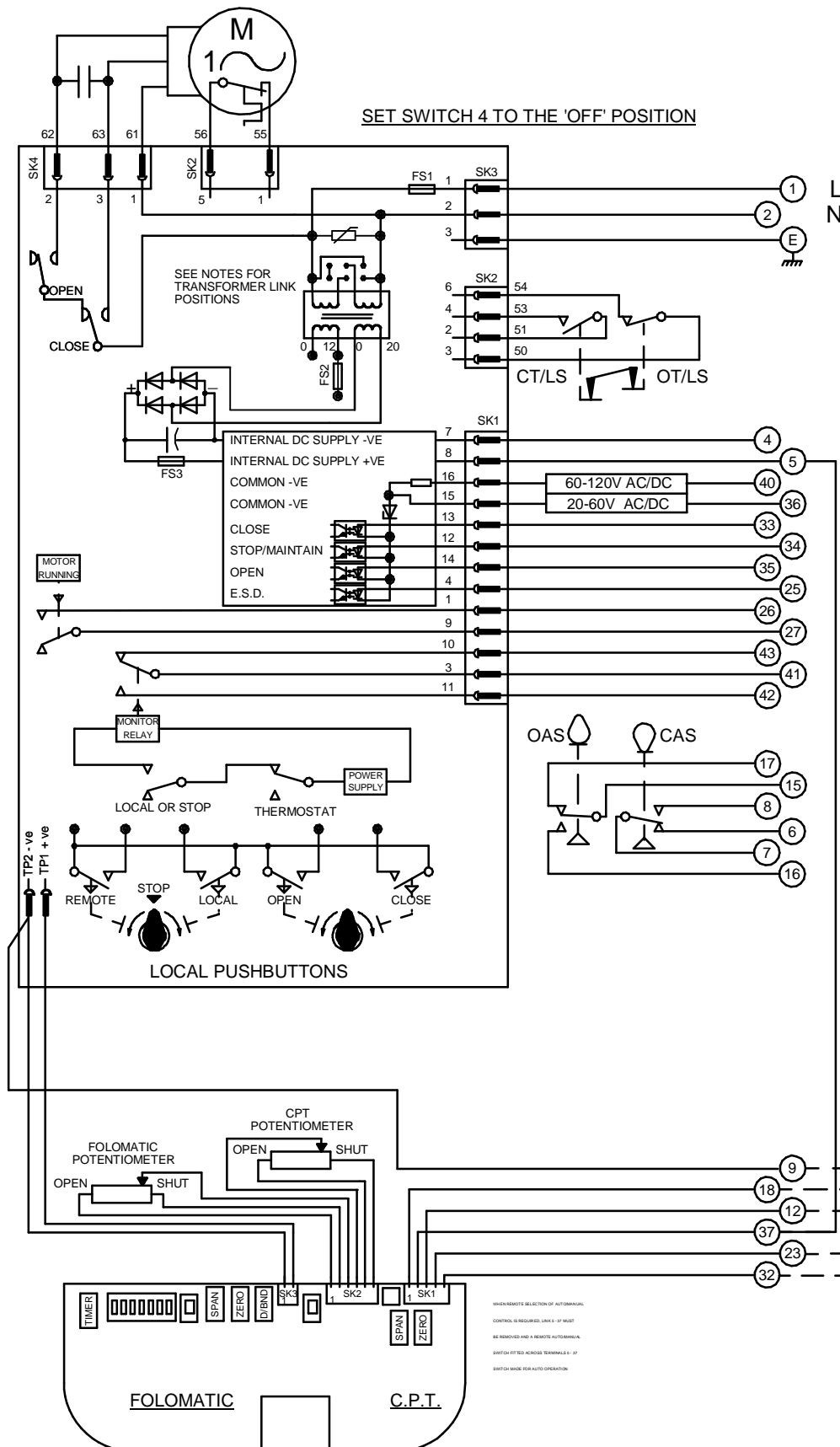


CIRCUIT IS DRAWN FOR A VALVE IN THE FULLY CLOSED POSITION

Circuit Diagram No - Issue No

1P04Q90A - 06



TRANSFORMER VOLTAGE SELECTION



SET SWITCH AS ABOVE FOR 198V - 264V SUPPLIES



SET SWITCH AS ABOVE FOR 99V - 132V SUPPLIES

- OT/LS - OPEN TORQUE/LIMIT SWITCH.
- CT/LS - CLOSE TORQUE/LIMIT SWITCH.
- OAS - OPEN AUXILIARY SWITCH.
- CAS - CLOSE AUXILIARY SWITCH.

WIRES ARE IDENTIFIED AT EACH END BY TERMINAL NUMBER OR NUMBER SHOWN.

- FS1 - 6.3A
- FS2 - 250mA
- FS3 - 160mA

TERMINALS 4 & 5 FUSED INTERNALLY AT 160mA
E.S.D. CONTROL SIGNAL VOLTAGE MUST BE EQUAL TO OR GREATER THAN ALL OTHER CONTROL SIGNAL VOLTAGES.

ANALOGUE INPUTS (FOR DETAILS, SEE ROTORK PUBLICATION AE4/0.1)

MANUAL/AUTO.



Iss	Date	Chkd	Revision Details
05	110294	T.W	SIMILAR TO 1P04Q90A JOB NO --- AUTO/MANUAL MOD P2269 CHECKED K.S.
06	270417	JS	FUSE RATING & TRANSFORMER VOLTAGE SELECTION CHANGED AS PER NEW PCB ECN / 7023

centork

ROTORK CONTROLS (INDIA) PRIVATE LTD
28B, AMBATTUR INDUSTRIAL ESTATE (NORTH),
AMBATTUR, CHENNAI - 600 098 INDIA.
Tel:044-39555600

Q-PAK + 2 POTENTIOMETERS + FOLOMATIC + C.P.T.

Drawn by: P.W.
Date : 230590
Base WD: 1P04Q90A
Job No : --
MI No : .-

Circuit Diagram No	Issue No
1P04Q90A	6