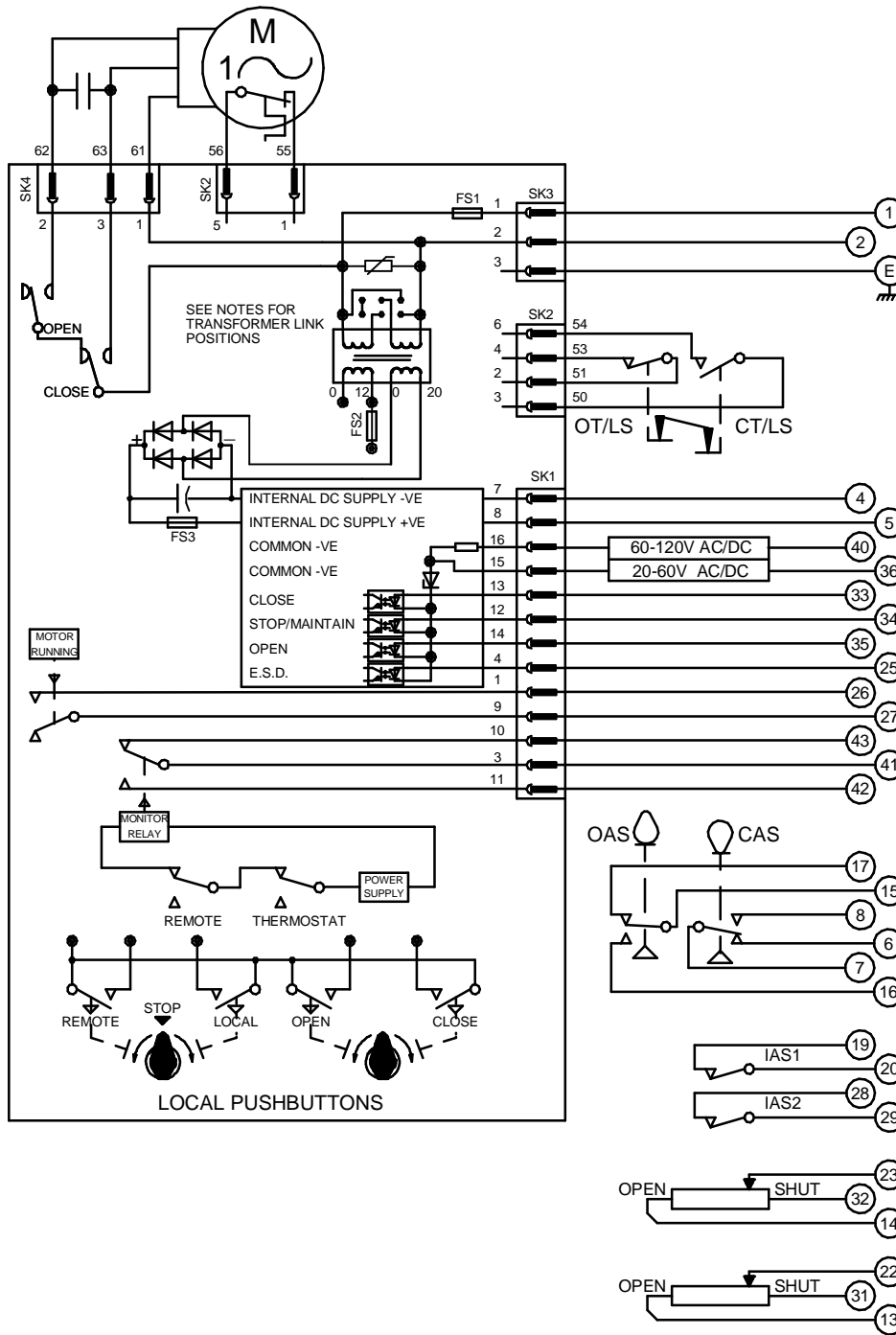


CIRCUIT IS DRAWN FOR A VALVE IN THE FULLY CLOSED POSITION

Circuit Diagram No - Issue No

1P03Q00 - 02



TRANSFORMER VOLTAGE SELECTION



SET SWITCH AS ABOVE FOR 198V - 264V SUPPLIES



SET SWITCH AS ABOVE FOR 99V - 132V SUPPLIES

- OT/LS - OPEN TORQUE/LIMIT SWITCH.
- CT/LS - CLOSE TORQUE/LIMIT SWITCH.
- OAS - OPEN AUXILIARY SWITCH.
- CAS - CLOSE AUXILIARY SWITCH.

WIRES ARE IDENTIFIED AT EACH END BY TERMINAL NUMBER OR NUMBER SHOWN.

- FS1 - 6.3A
- FS2 - 250mA
- FS3 - 160mA

TERMINALS 4 & 5 FUSED INTERNALLY AT 160mA

E.S.D. CONTROL SIGNAL VOLTAGE MUST BE EQUAL TO OR GREATER THAN ALL OTHER CONTROL SIGNAL VOLTAGES.

Iss	Date	Chkd	Revision Details
01	110294	T.W	SIMILAR TO 1P03Q00 JOB NO --- AUTO/MANUAL MOD P2269 CHECKED K.S.
02	270417	JS	FUSE RATING & TRANSFORMER VOLTAGE SELECTION CHANGED AS PER NEW PCB ECN / 7023



ROTORK CONTROLS (INDIA) PRIVATE LTD  
28B, AMBATTUR INDUSTRIAL ESTATE (NORTH),  
AMBATTUR, CHENNAI - 600 098 INDIA.  
Tel:044-39555600

Q-PAK + 2 POTENTIOMETERS + 2 IND.SW.

Drawn by: T.W  
Date : 051192  
Base WD: 1P03Q00  
Job No : --  
MI No : .

Circuit Diagram No  
**1P03Q00**  
Issue No  
**2**