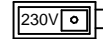


CIRCUIT IS DRAWN FOR A VALVE IN THE FULLY CLOSED POSITION

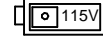
Circuit Diagram No - Issue No

1P02Q60A - 04

TRANSFORMER VOLTAGE SELECTION



SET SWITCH AS ABOVE FOR 198V - 264V SUPPLIES



SET SWITCH AS ABOVE FOR 99V - 132V SUPPLIES

- OT/LS - OPEN TORQUE/LIMIT SWITCH.
- CT/LS - CLOSE TORQUE/LIMIT SWITCH.
- OAS - OPEN AUXILIARY SWITCH.
- CAS - CLOSE AUXILIARY SWITCH.

WIRES ARE IDENTIFIED AT EACH END BY TERMINAL NUMBER OR NUMBER SHOWN.

FS1 - 6.3A

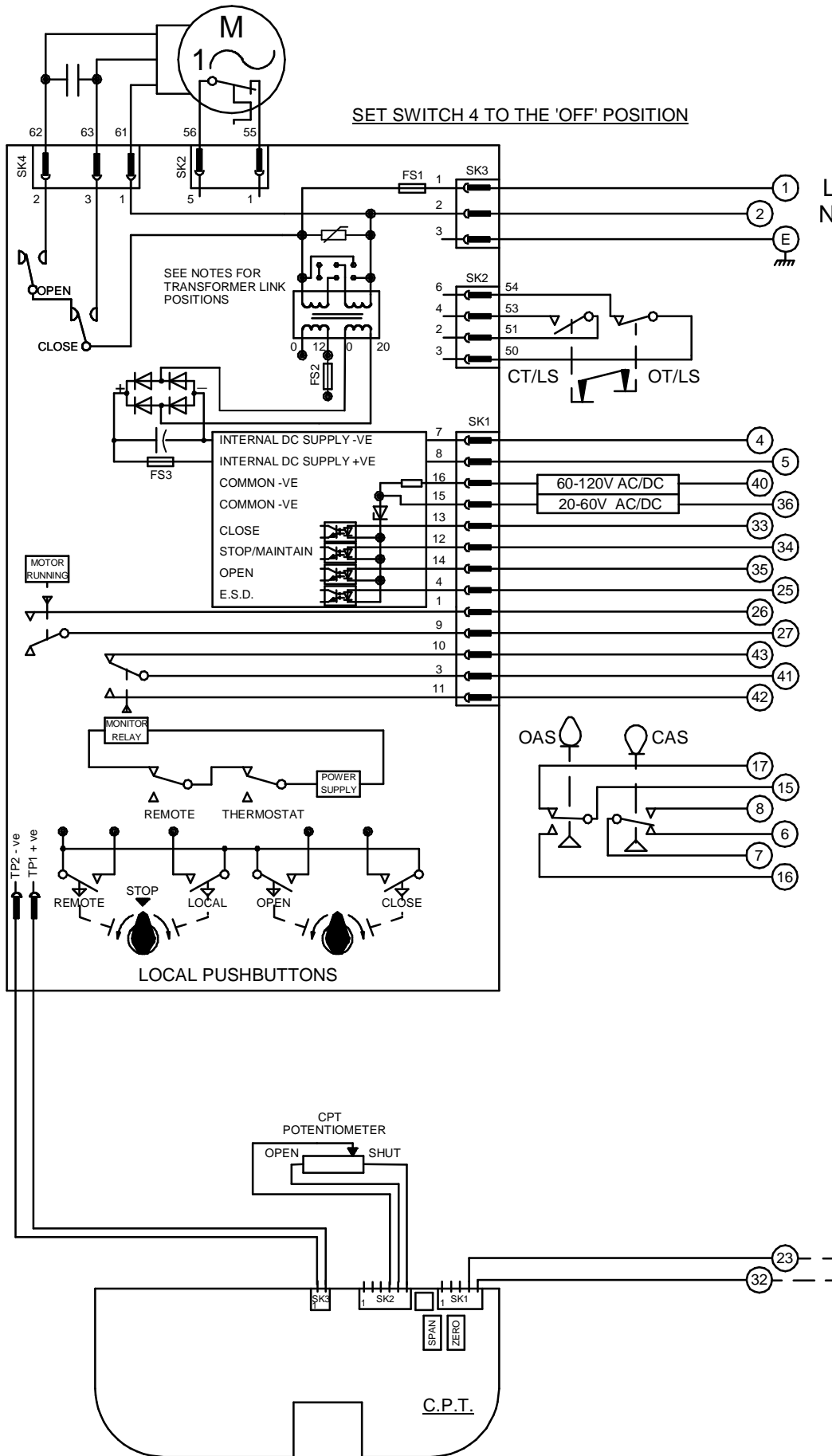
FS2 - 250mA

FS3 - 160mA

TERMINALS 4 & 5 FUSED

INTERNALLY AT 160mA

E.S.D. CONTROL SIGNAL VOLTAGE MUST BE EQUAL TO OR GREATER THAN ALL OTHER CONTROL SIGNAL VOLTAGES.



Iss	Date	Chkd	Revision Details
03	230590	PGS	SIMILAR TO 1P02Q60A JOB NO --- SK1 & SK4 PIN NOS CORRECTED. CHECKED K.S.
04	270417	JS	FUSE RATING & TRANSFORMER VOLTAGE SELECTION CHANGED AS PER NEW PCB ECN / 7023

centork

ROTORK CONTROLS (INDIA) PRIVATE LTD
28B, AMBATTUR INDUSTRIAL ESTATE (NORTH),
AMBATTUR, CHENNAI - 600 098 INDIA.
Tel:044-39555600

Q-PAK + POTENTIOMETER. + C.P.T.

Drawn by: P.W.
Date : 230590
Base WD: 1P02A60A
Job No : --
MI No : .

Circuit Diagram No	Issue No
1P02Q60A	4