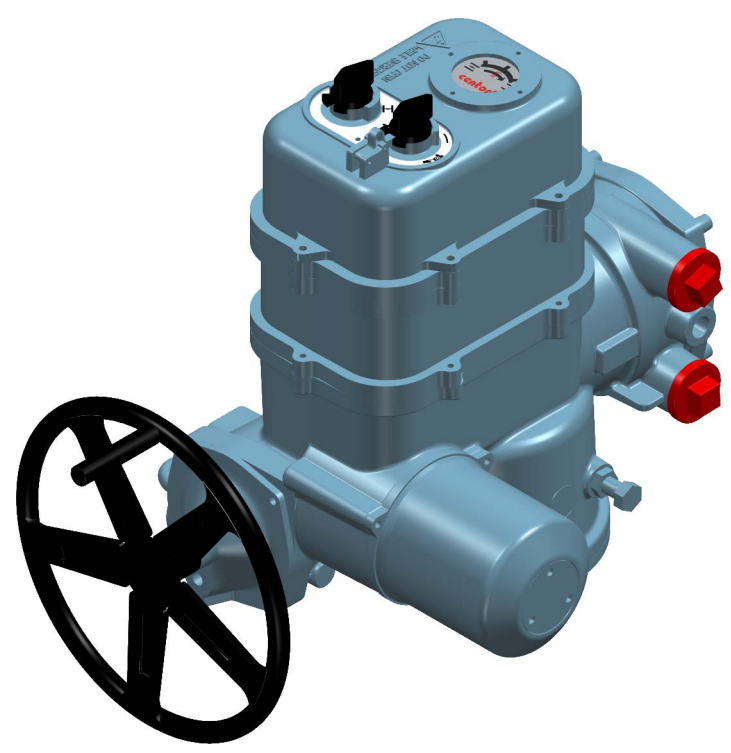
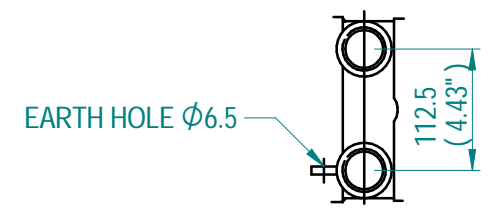


3D VIEW (1:5)



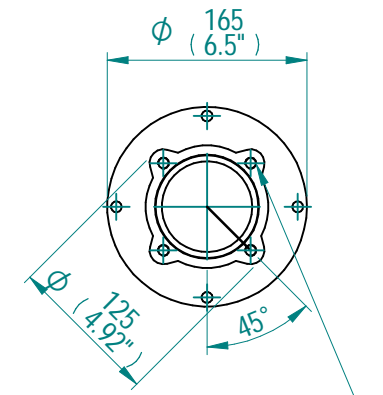
**NOTES:**  
 1. \* COVER REMOVABLE ALLOWANCE  
 2. APPROXIMATE WEIGHT IS 24 Kg

**CONDUIT ENTRIES: (NTS)**

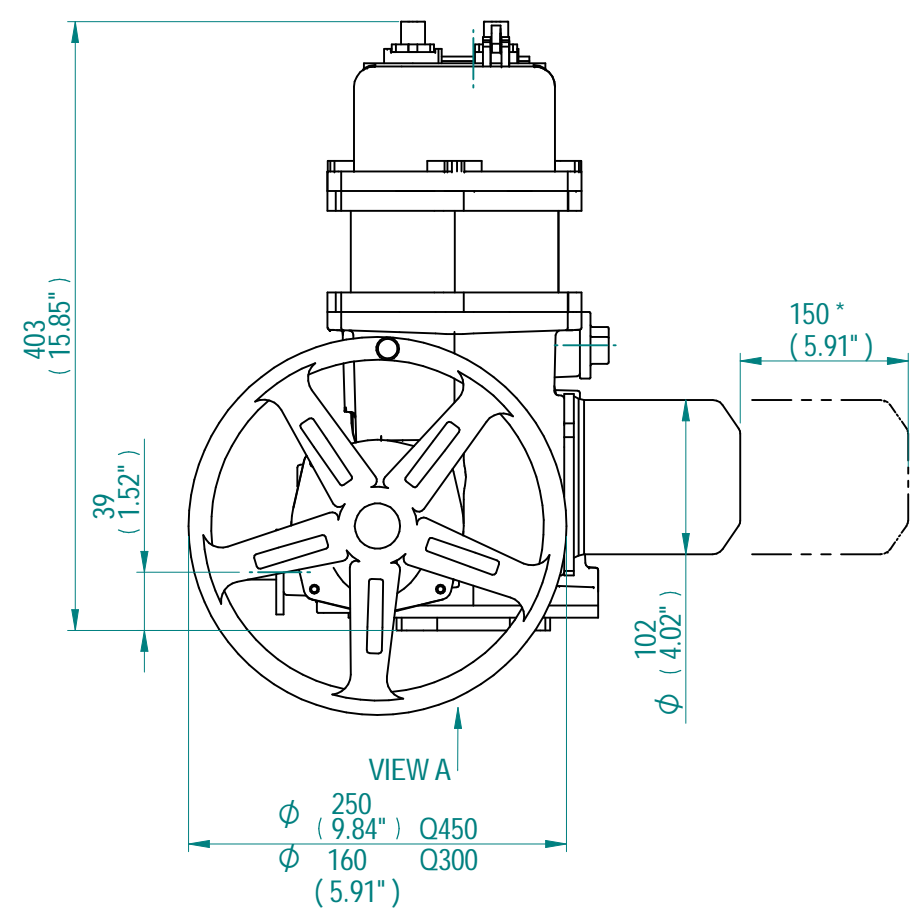
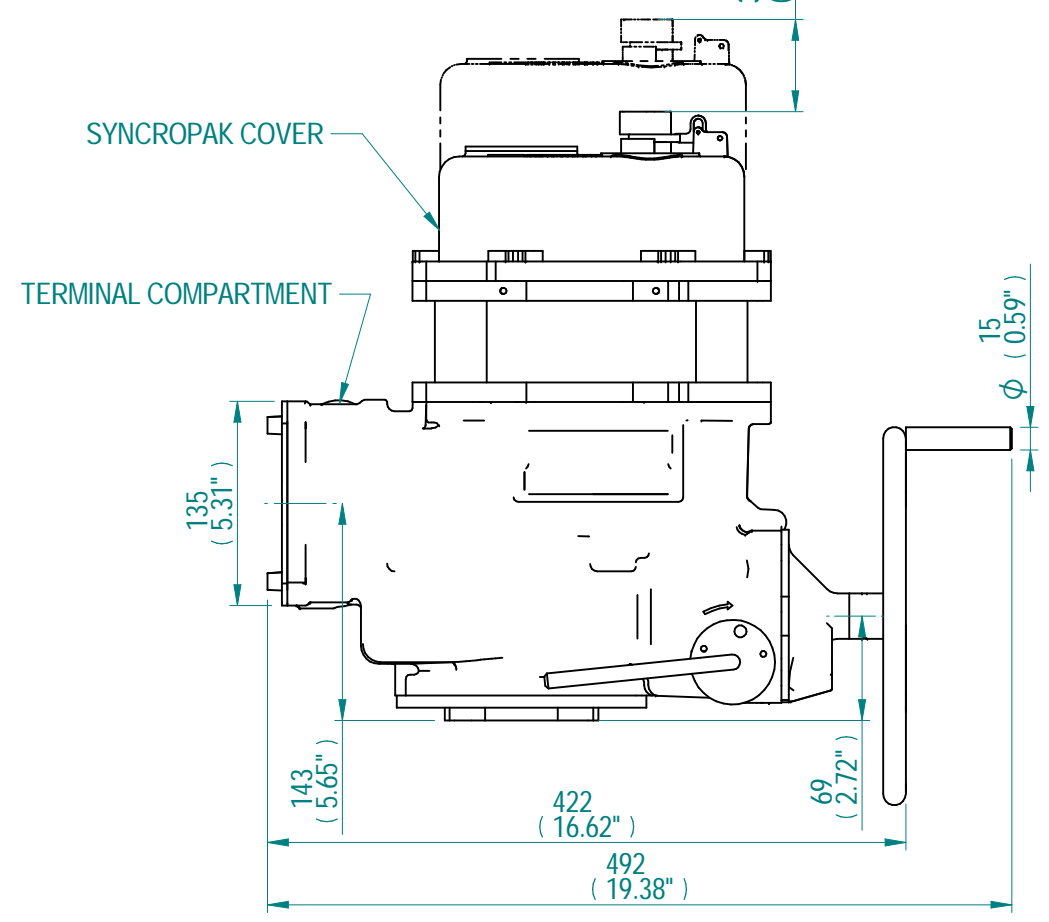


STANDARD : 2 X M32  
 ALTERNATIV IF SPECIFIED: 2 X 1 1/4" NPT

**VIEW A DETAILS: (NTS)**



ISO F07 FLANGE  
 4 HOLES M8X12 DEEP  
 ON 70 PCD  
 OR  
 ISO F10 FLANGE  
 4 HOLES M10X24 DEEP  
 ON 102 PCD



VIEW A

Ø 250 (9.84") Q450  
 Ø 160 (6.30") Q300 (5.91")

Rev	ECN	Revised	Rev. Approved	Date	Change Description
0	-	-	-	13-01-21	FIRST ISSUE

<p>Chennai - India</p>	©2021 Rotork Group of Companies. All rights reserved. This document and its contents may not be reproduced, distributed, transmitted, displayed, published, or broadcast, in whole, or in part, without the prior express written permission of Rotork Group of Companies.		Dimensions in mm Scale: 1:5	Title: <b>CENTORK Q300 / 450 3 PHASE F07 / F10</b>		
	Created: AM Checked: DAB Approved: DAB	2021-01-13 2020-06-18 2020-06-18	Drawing Number: <b>BR/MISC - 11267</b>		Rev: 0	
	Nominal Mass -		Size: A3	Sheet 1 of 1		