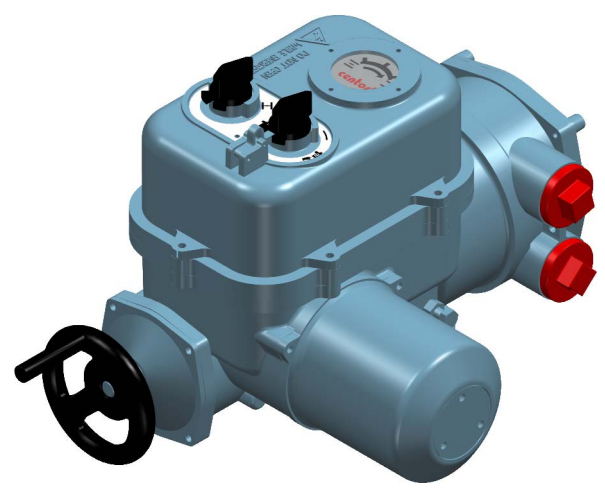
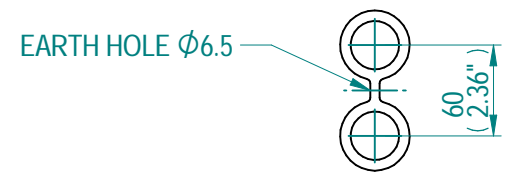


3D VIEW ( 1:5)



**NOTES:**  
 1. \* COVER REMOVABLE ALLOWANCE  
 2. APPROXIMATE WEIGHT IS 14 Kg

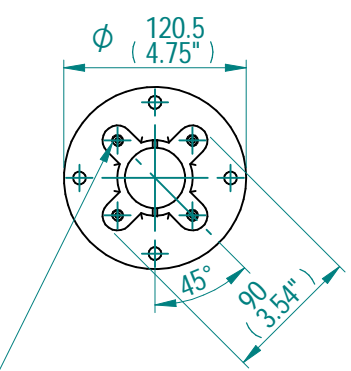
**CONDUIT ENTRIES: (NTS)**



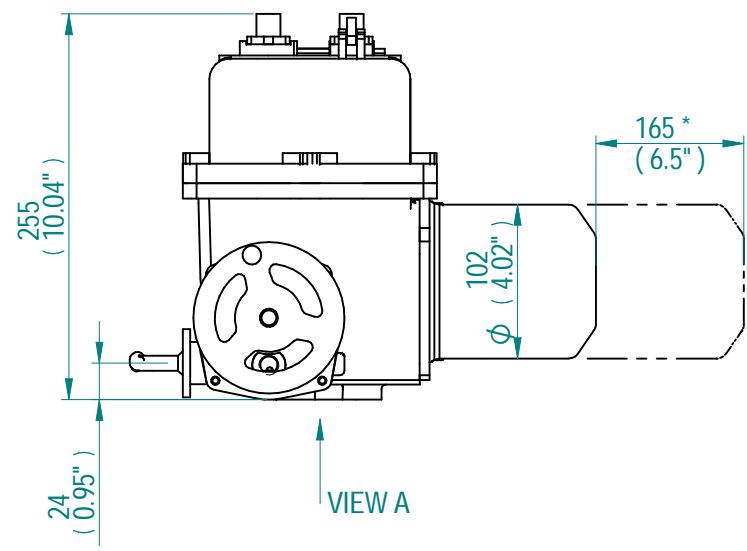
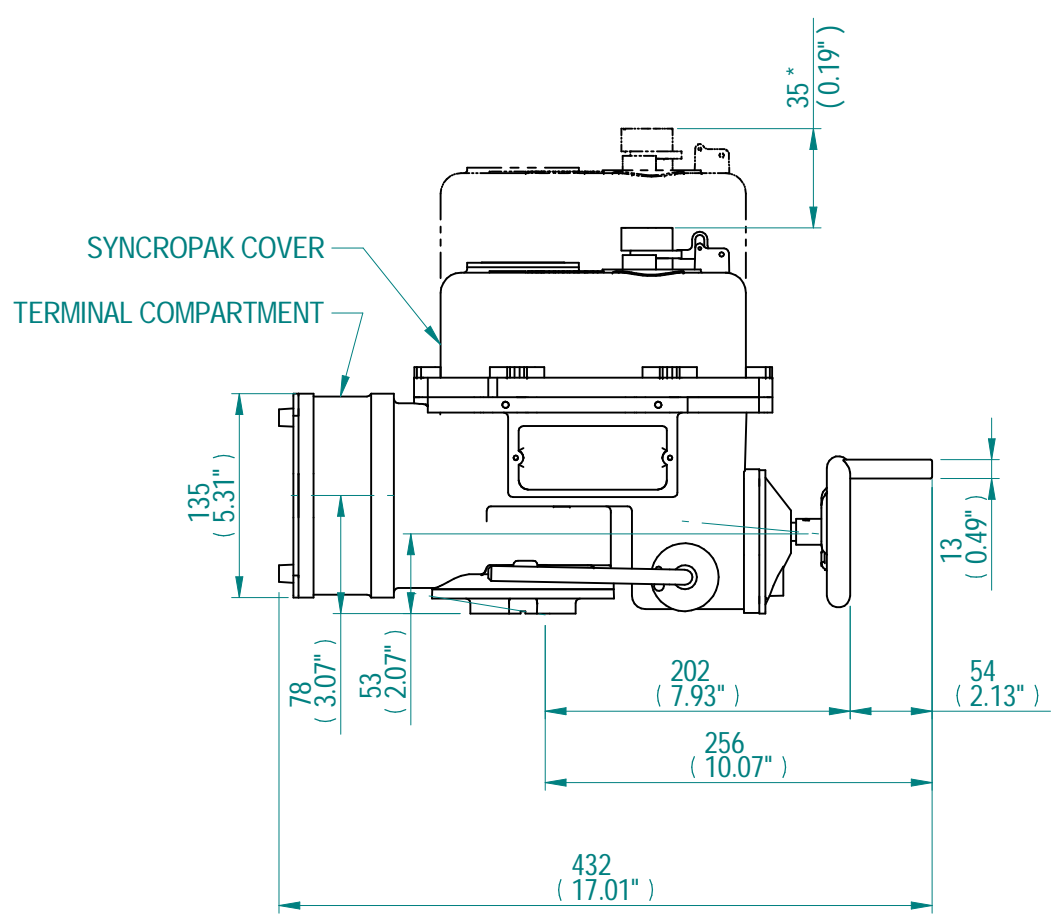
STANDARD : 2 X M32

ALTERNATIV IF SPECIFIED: 2 X 1 1/4" NPT

**VIEW A DETAILS: (NTS)**



ISO F05 FLANGE  
 4 HOLES M6X10 DEEP  
 ON 50 PCD  
 OR  
 ISO F07 FLANGE  
 4 HOLES M8X12 DEEP  
 ON 70PCD



VIEW A

<p>Chennai - India</p>		<p>©2021 Rotork Group of Companies. All rights reserved. This document and its contents may not be reproduced, distributed, transmitted, displayed, published, or broadcast, in whole, or in part, without the prior express written permission of Rotork Group of Companies.</p>				Dimensions in mm	Title <b>CENTORK Q100 1 PHASE F05 / F07</b>	
				Scale 1:5		Created <b>AM</b> 2021-01-13 Checked <b>DAB</b> 2020-06-17 Approved <b>DAB</b> 2020-06-17		Drawing Number <b>BR/MISC - 11264</b>
Rev	ECN	Revised	Rev. Approved	Date	Change Description	Nominal Mass -		Size A3 Sheet 1 of 1