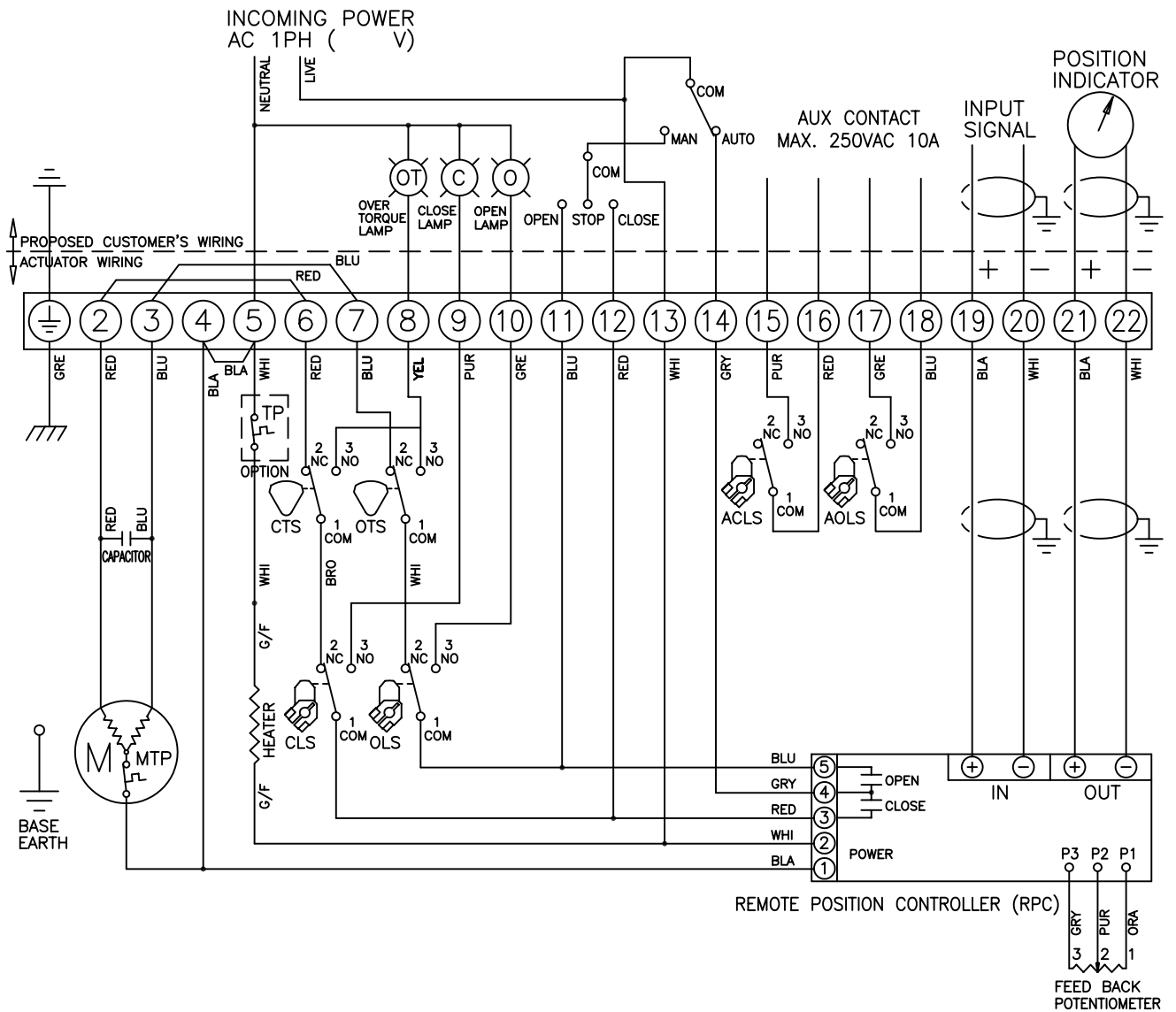


CLS : CLOSE LIMIT SWITCH (250VAC 10A)
 OLS : OPEN LIMIT SWITCH (250VAC 10A)
 CTS : CLOSE TORQUE SWITCH (250VAC 10A)
 OTS : OPEN TORQUE SWITCH (250VAC 10A)
 ACLS : AUX. CLOSE LIMIT SWITCH (250VAC 10A)
 AOLS : AUX. OPEN LIMIT SWITCH (250VAC 10A)
 TP : THERMAL PROTECTOR (250VAC 15A OPTION)
 *EACH ACTUATOR SHOULD BE POWERED THROUGH ITS OWN INDIVIDUAL SWITCH OR RELAY CONTACTS TO PREVENT CROSS FEED BETWEEN TWO OR MORE ACTUATORS.

TORQUE AND LIMIT SWITCHES OPERATION

| SWITCH | CLOSE ← | INTERMEDIATE | → OPEN |
|---------|---|--------------|--------|
| CLS 1-2 | | | |
| CLS 1-3 | | | |
| OLS 1-2 | | | |
| OLS 1-3 | | | |
| ACLS1-2 | | | |
| ACLS1-3 | | | |
| AOLS1-2 | | | |
| AOLS1-3 | | | |
| CTS 1-3 | * CLOSING TORQUE SWITCH INTERRUPTS CONTROL IF MECHANICAL OVERLOAD OCCURS DURING CLOSING CYCLE | | |
| OTS 1-3 | * OPENING TORQUE SWITCH INTERRUPTS CONTROL IF MECHANICAL OVERLOAD OCCURS DURING OPENING CYCLE | | |



| MODIFICACION | | FECHA | MODIFICACION | | FECHA |
|--------------|--|----------|--|---|-------|
| A | REVISION (IM 09.09) | 18/06/04 | C | - | - |
| B | - | - | D | - | - |
| FECHA | | FIRMA | Propiedad de CENTORK VALVE CONTROL S.L. prohibida su utilizacion reproduccion y distribucion sin autorizacion expresa por escrito REDONDEO EN OTRAS ZONAS SIN INDICACION | | |
| DIBUJADO | 23/09/09 | IM | | | |
| REVISADO | 23/09/09 | IM | | | |
| VERIFICADO | 23/09/09 | IM | | | |
| ESCALA | 480 SERIES WIRING DIAGRAM 480.015/480.110 MODEL AC SINGLE PHASE STD-ALS-RPC | | TOLERANCIAS GENERALES DIMENSIONALES AGUJEROS: H12, EJES: h12 ROSCAS: GRADO MEDIO H6/g6 S/DIN13, LONGITUDES: Js12 FORMATO: A4 N° DE PLANO: D8007X2 HOJA: N°: 1 de 1 | | |