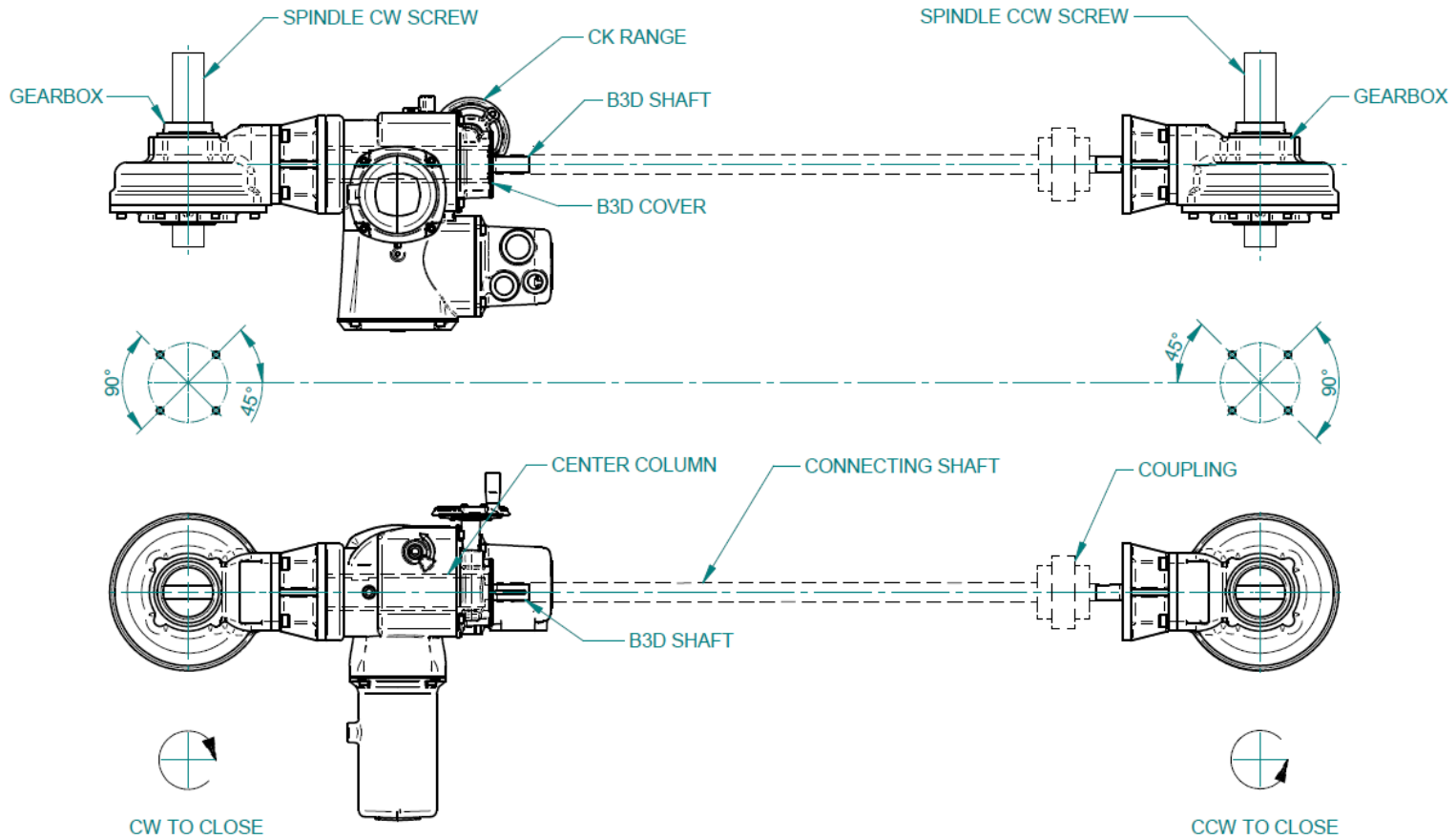


TITLE: B3D ASSEMBLY EXAMPLE
 MODELS: CK Range, GEARBOX



NOTES:

Dimensions in millimeters.
 Keyway dimensions according to DIN6885 and Output drives according to EN ISO 5210.
 For base and output dimensions, see E.CK00035 technical datasheet. Actuator weight, see technical datasheets.
 This datasheet gives a representation of using a CK range actuator to drive two gearboxes simultaneously.