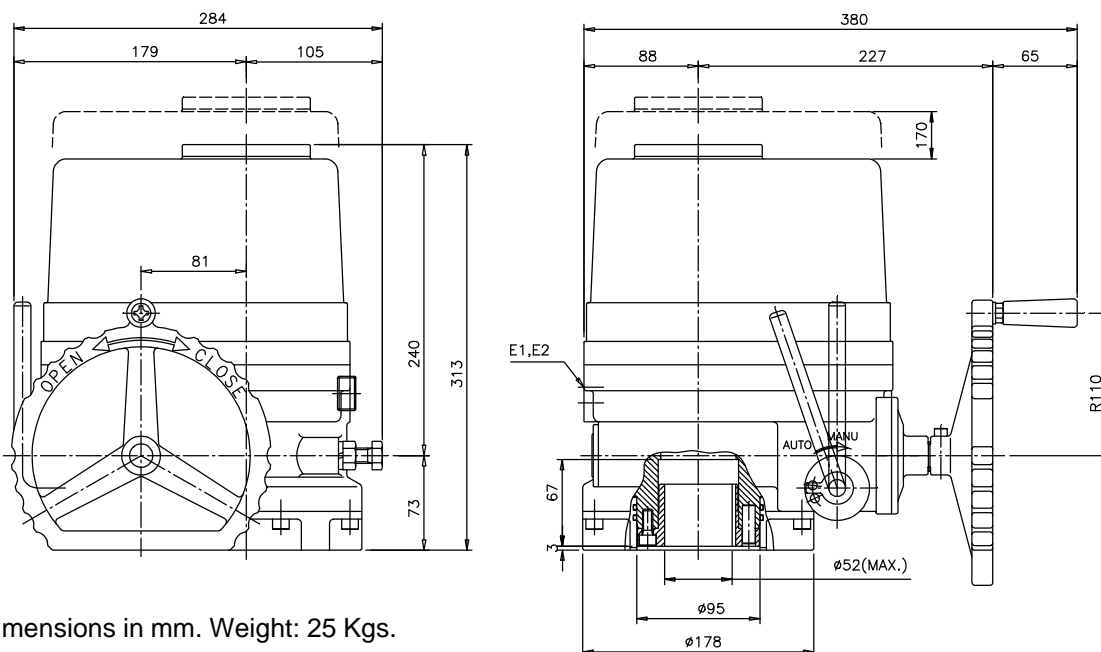


QUARTER-TURN ELECTRIC ACTUATOR 480.080 MODEL

480 SERIES



Dimensions in mm. Weight: 25 Kgs.

Description:

Direct Quarter-turn electric actuator designed for the operation of valves with less than 360° turn. Through the use of double worm gearbox, tight position control and self-locking are guaranteed.

General specification:

- Swing angle: 90° (+-5°). Options: 120°, 180°, 270°.
- Valve coupling: according to ISO5211. Removable drive bushing for machining.
- Limit switching: Adjustable cams directly mounted on the output spindle (SPDT 250VAC)
- Torque switching: for both open and closing direction (SPDT 250 VAC rating).
- Position indicator: Mechanical, window in top cover.
- Heater: anticondensation heater, 7-10W self-regulating
- Motor: Class F protection, protected by thermostiches. Supplies: 3 Phase AC, 1 Phase AC or 24 VDC.
- Manual operation: For emergency operation, never rotate during electric operation
- Ambient temperature: -20°C to +70°C
- Enclosure: IP67 according to EN 60529. IP68 optional.
- Finish coating: two component epoxy coating. P1 or P2 corrosion protections optional.
- Electrical connection: by terminals. Cable entries E1 & E2: M25x1,5.

Direct Quarter-Turn actuators				Valve stem			Handwheel			3 P 400V/50Hz.			1 P 220V/50Hz.		
Max. Torque Nm	CENTORK Model	Op.Time (90°) sec.	Valve Coupling ISO5211	Max. Diam mm	Max. Square mm	Max. Two-flat mm	n° turns	Diameter mm	Weight Kg.	Power W	Nom. current A	Max. current A	Power W	Nom. current A	Max. current A
800	480.080	39	F12/F14	52	36	36	17	220	25	180	0,82	0,85	180	2,05	2,2

La información contenida en este documento está sujeta a modificaciones sin previo aviso. Esta edición anula las anteriores.

VALVE
CONTROL



Nº:
E1480X070

Revisión :
04.04