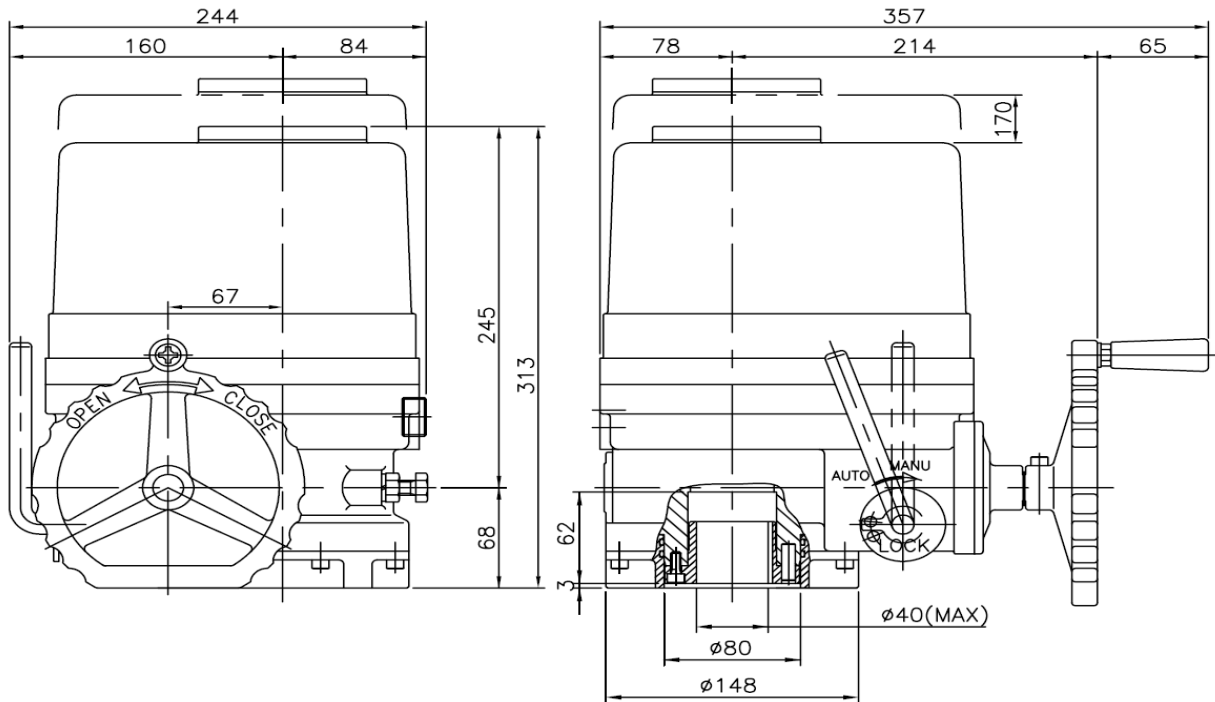


**QUARTER-TURN ELECTRIC ACTUATOR
480.035 MODEL**

480

SERIES



Dimensions in mm. Weight: 20 Kgs.

Description:

Direct Quarter-turn electric actuator designed for the operation of valves with less than 360° turn. Through the use of double worm gearbox, tight position control and self-locking are guaranteed.

General specification:

- Swing angle: 90° (+-5°). Options: 120°, 180°, 270°.
- Valve coupling: According to ISO5211. Removable drive bushing for machining.
- Limit switching: Adjustable cams directly mounted on the output spindle(SPDT 250VAC)
- Torque switching: For both open and closing direction (SPDT 250 VAC rating).
- Position indicator: Mechanical, window in top cover.
- Heater: Anticondensation heater, 5W self-regulating
- Motor: Class F protection, protected by thermostiches. Supplies: 3 Phase AC, 1 Phase AC or 24 VDC.
- Manual operation: For emergency operation. Never rotate during electric operation
- Ambient temperature: -20°C to +70°C
- Enclosure: IP67 according to EN 60529. IP68 optional.
- Finish coating: Two component epoxy coating. P1 or P2 corrosion protections optional.
- Electrical connection: By terminals.Cable entries E1 & E2: M25x1,5.

Direct Quarter-Turn actuators					Valve stem			Handwheel		3-400V/50Hz			1-220V/50Hz		
Max Torque	CENTORK Model	Op. Time 50Hz/60 Hz (90°)	Valve Coupling	Weight	Máx. Diam	Max. Square	Máx head flats	n turns	Diameter	Power	Nom. Current	Nom. Current	Power	Nom. Current	Nom. Current
N.m		secs	ISO 5211	kg	mm	mm	mm		mm	W	A	A	W	A	A
350	480.035	31	F10/F12	20	40	27	27	14	180	40	0,32	0,85	40	0,92	1,52

VALVE CONTROL



Nº :

E1480A050

Revision:

06.16