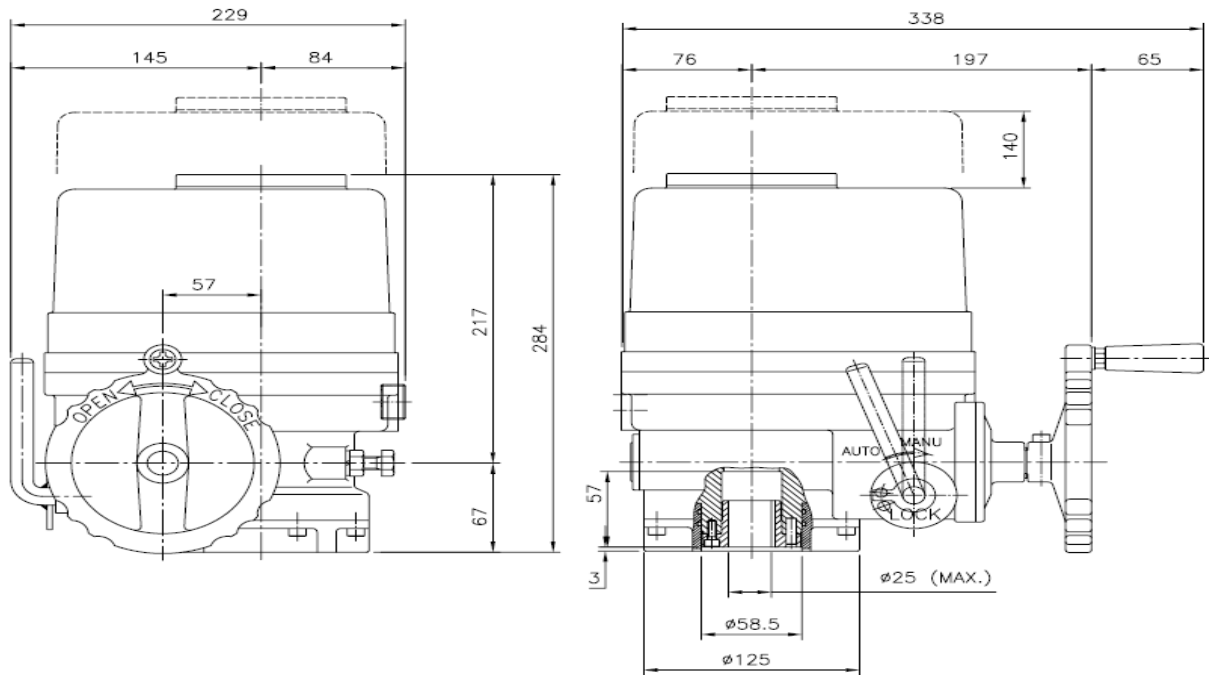


# QUARTER-TURN ELECTRIC ACTUATOR 480.025 MODEL

## 480

## SERIES



Dimensions in mm. Weight: 15 Kgs.

### Description:

Direct Quarter-turn electric actuator designed for the operation of valves with less than 360° turn. Through the use of double worm gearbox, tight position control and self-locking are guaranteed.

### General specification:

Swing angle:	90° (+-5°). Options: 120°, 180°, 270°.
Valve coupling:	According to ISO5211. Removable drive bushing for machining.
Limit switching:	Adjustable cams directly mounted on the output spindle(SPDT 250VAC)
Torque switching:	For both open and closing direction (SPDT 250 VAC rating).
Position indicator:	Mechanical, window in top cover.
Heater:	Anticondensation heater, 5W self-regulating
Motor:	Class F protection, protected by thermostiches. Supplies: 3 Phase AC, 1 Phase AC or 24 VDC.
Manual operation:	For emergency operation. Never rotate during electric operation
Ambient temperature:	-20°C to +70°C
Enclosure:	IP67 according to EN 60529. IP68 optional.
Finish coating:	Two component epoxy coating. P1 or P2 corrosion protections optional.
Electrical connection:	By terminals.Cable entries E1 & E2: M25x1,5.

Direct Quarter-Turn actuators					Valve stem			Handwheel		3-400V/50Hz			1-220V/50Hz		
Max Torque N.m	CENTORK Model	Op. Time 50Hz/60 Hz (90°) secs	Valve Coupling ISO 5211	Weight kg	Max. Diam mm	Max. Square mm	Max head flats mm	n turns	Diameter mm	Power W	Nom. Current A	Nom. Current A	Power W	Nom. Current A	Nom. Current A
240	<b>480.025</b>	26	F07/F10	15	25	23	22	12	150	40	0,32	0,66	40	0,87	1,18

**VALVE  
CONTROL**



N° :

**E1480A040**

Revision:

**06.16**