

CIRCUIT IS DRAWN FOR A VALVE IN THE FULLY CLOSED POSITION

Circuit Diagram No - Issue No

6P36Q70 - 01

TRANSFORMER TAPPING OPTIONS

TAP	NOM50/60HZ	50HZ	60HZ
X	380/440	342-418	396-484
Y	400/460	360-440	414-506
Z	415/480	373-457	432-528

JUMPER AT LK2 FOR TAPPING X  
 JUMPER AT LK3 FOR TAPPING Y  
 JUMPER AT LK4 FOR TAPPING Z

OT/LS - OPEN TORQUE/LIMIT SWITCH.  
 CT/LS - CLOSE TORQUE/LIMIT SWITCH.  
 OAS - OPEN AUXILIARY SWITCH.  
 CAS - CLOSE AUXILIARY SWITCH.

WIRES ARE IDENTIFIED AT EACH END BY  
 TERMINAL NUMBER OR NUMBER SHOWN.

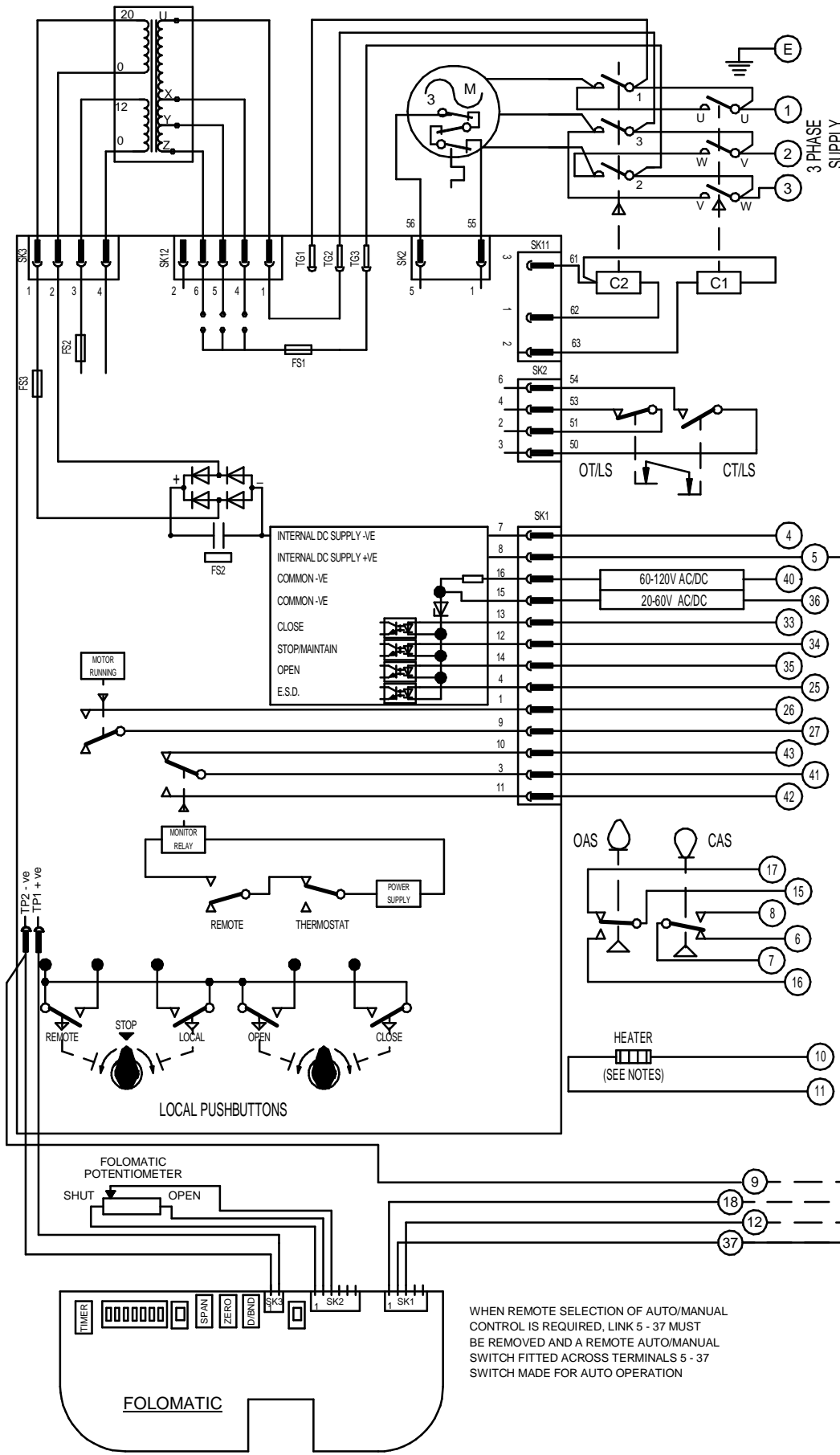
FS1 - 100 mA  
 FS2 - 1 A  
 FS3 - 250 mA

TERMINALS 4 & 5 FUSED  
 INTERNALLY AT 160mA

12W (MAX) HEATER FITTED AS STANDARD.  
 UNLESS OTHERWISE REQUESTED, HEATERS  
 FITTED WILL BE 240V (5.6K OHM).

ANALOGUE INPUTS  
 (FOR DETAILS, SEE ROTORK  
 PUBLICATION PUB007-008-00  
 --- MANUAL/AUTO.

WHEN REMOTE SELECTION OF AUTO/MANUAL  
 CONTROL IS REQUIRED, LINK 5 - 37 MUST  
 BE REMOVED AND A REMOTE AUTO/MANUAL  
 SWITCH FITTED ACROSS TERMINALS 5 - 37  
 SWITCH MADE FOR AUTO OPERATION



Iss	Date	Chkd	Revision Details
01	161118	JS	FIRST ISSUE

**centork**  
 ROTORK CONTROLS (INDIA) PRIVATE LTD  
 28B, AMBATTUR INDUSTRIAL ESTATE (NORTH),  
 AMBATTUR, CHENNAI - 600 098 INDIA.  
 Tel:044-39555600

Q-PAK. + POT. + INTERMEDIATE  
 SWITCH + HEATER + FOLOMATIC  
 Drawn by: JS  
 Date : 161118  
 Base WD:  
 Job No : --  
 MI No : .

Circuit Diagram No	Issue No
6P36Q70	1