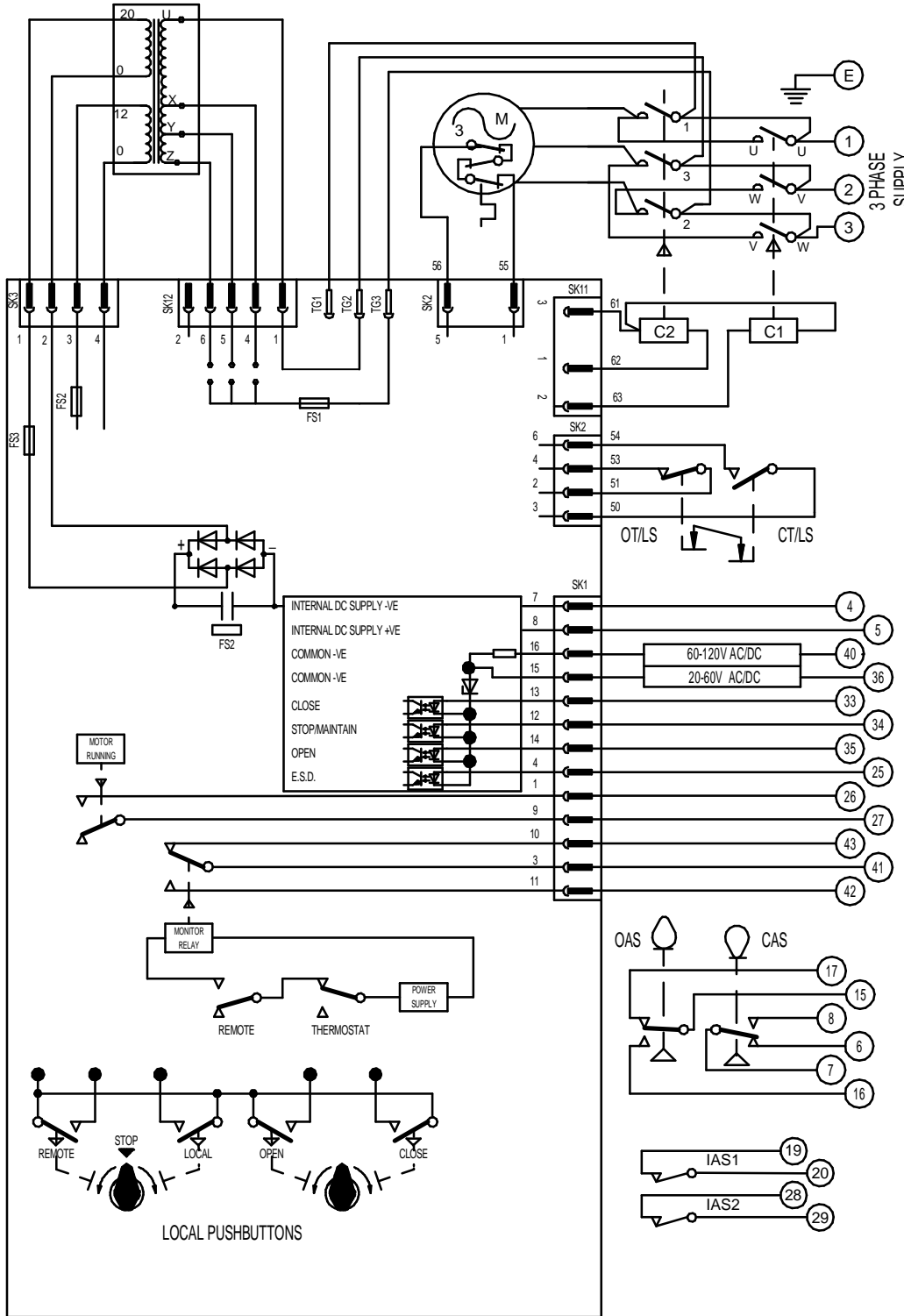


CIRCUIT IS DRAWN FOR A VALVE IN THE FULLY CLOSED POSITION

Circuit Diagram No - Issue No

6P05Q00 - 01



TRANSFORMER TAPPING OPTIONS

TAP	NOM50/60HZ	50HZ	60HZ
X	380/440	342-418	396-484
Y	400/460	360-440	414-506
Z	415/480	373-457	432-528

JUMPER AT LK2 FOR TAPPING X  
 JUMPER AT LK3 FOR TAPPING Y  
 JUMPER AT LK4 FOR TAPPING Z

OT/LS - OPEN TORQUE/LIMIT SWITCH.  
 CT/LS - CLOSE TORQUE/LIMIT SWITCH.  
 OAS - OPEN AUXILIARY SWITCH.  
 CAS - CLOSE AUXILIARY SWITCH.  
 IAS1 & 2 - INTERMEDIATE AUXILIARY SWITCHES ADJUSTABLE TO MAKE OR BREAK INDIVIDUALLY AT ANY POSITION.

WIRES ARE IDENTIFIED AT EACH END BY TERMINAL NUMBER OR NUMBER SHOWN.

FS1 - 100 mA  
 FS2 - 1 A  
 FS3 - 250 mA  
 TERMINALS 4 & 5 FUSED INTERNALLY AT 160mA

E.S.D. CONTROL SIGNAL VOLTAGE MUST BE EQUAL TO OR GREATER THAN ALL OTHER CONTROL SIGNAL VOLTAGES.

Iss	Date	Chkd	Revision Details
01	301219	JS	FIRST ISSUE

**centork**  
 ROTORK CONTROLS (INDIA) PRIVATE LTD  
 28B, AMBATTUR INDUSTRIAL ESTATE (NORTH),  
 AMBATTUR, CHENNAI - 600 098 INDIA.  
 Tel:044-39555600

BASIC Q-PAK. + 2 INTERMEDIATE SW

Drawn by: JS Date : 301219 Base WD: Job No : -- MI No : .	Circuit Diagram No <b>6P05Q00</b>	Issue No <b>1</b>
---	--------------------------------------	----------------------