

CIRCUIT IS DRAWN FOR A VALVE IN THE FULLY CLOSED POSITION

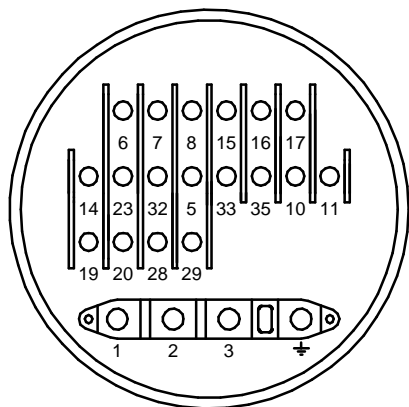
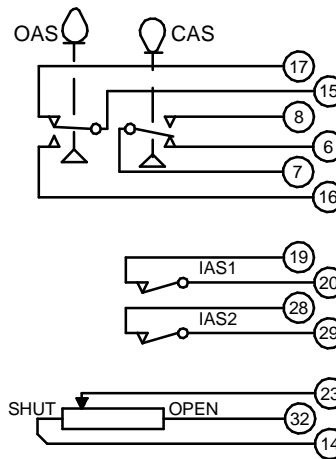
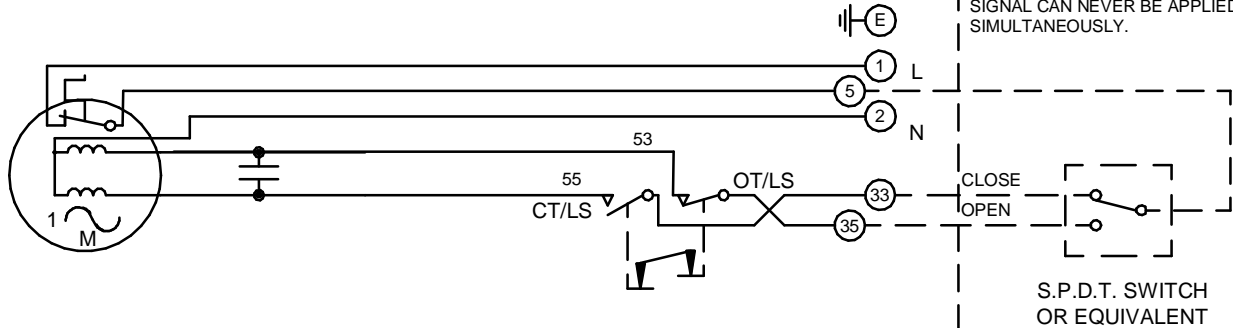
CIRCUIT IS DRAWN FOR A VALVE IN THE FULLY CLOSED POSITION

Circuit Diagram No - Issue No

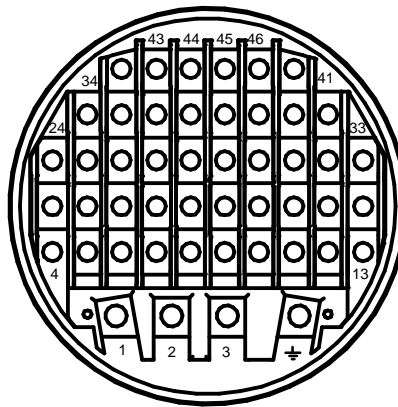
2S06Q00A - 03

**WARNING**

IT IS ESSENTIAL THAT REMOTE CONTROL CIRCUITS ARE DESIGNED SO THAT AN OPEN AND A CLOSE SIGNAL CAN NEVER BE APPLIED SIMULTANEOUSLY.



TERMINAL BUNG  
( FOR WT ACTUATOR )



TERMINAL BUNG  
( FOR WTC ACTUATOR )

OT/LS - OPEN TORQUE/LIMIT SWITCH.  
 CT/LS - CLOSE TORQUE/LIMIT SWITCH.  
 OAS - OPEN AUXILIARY SWITCH.  
 CAS - CLOSE AUXILIARY SWITCH.  
 IAS1 & 2 - INTERMEDIATE AUXILIARY SWITCHES ADJUSTABLE TO MAKE OR BREAK INDIVIDUALLY AT ANY POSITION.  
 WIRES ARE IDENTIFIED AT EACH END BY TERMINAL NUMBER OR NUMBER SHOWN.  
 ALLOW MINIMUM 2 SECOND DELAY WHEN CONTROL SIGNALS ARE REVERSED TO ENSURE MOTOR REVERSAL.

Iss	Date	Chkd	Revision Details
01		PGS	SIMILAR TO 2S06Q00A JOB NO ----
02	190292	T.W	WARNING NOTE ADDED. CHECKED K.S 190292
03	260417	JS	PAK TERMINAL BUNG INTRODUCED FOR WTC APPLICATION EC7024.

**centork**

ROTORK CONTROLS (INDIA) PRIVATE LTD  
 28B, AMBATTUR INDUSTRIAL ESTATE (NORTH),  
 AMBATTUR, CHENNAI - 600 098 INDIA.  
 Tel:044-39555600

Q - STANDARD + POT AND 2 INTERMEDIATE SWITCHES.

Drawn by: K.S  
 Date : 020490  
 Base WD: 2S06Q00A  
 Job No : ---  
 MI No : .

Circuit Diagram No  
**2S06Q00A**  
 Issue No  
**3**