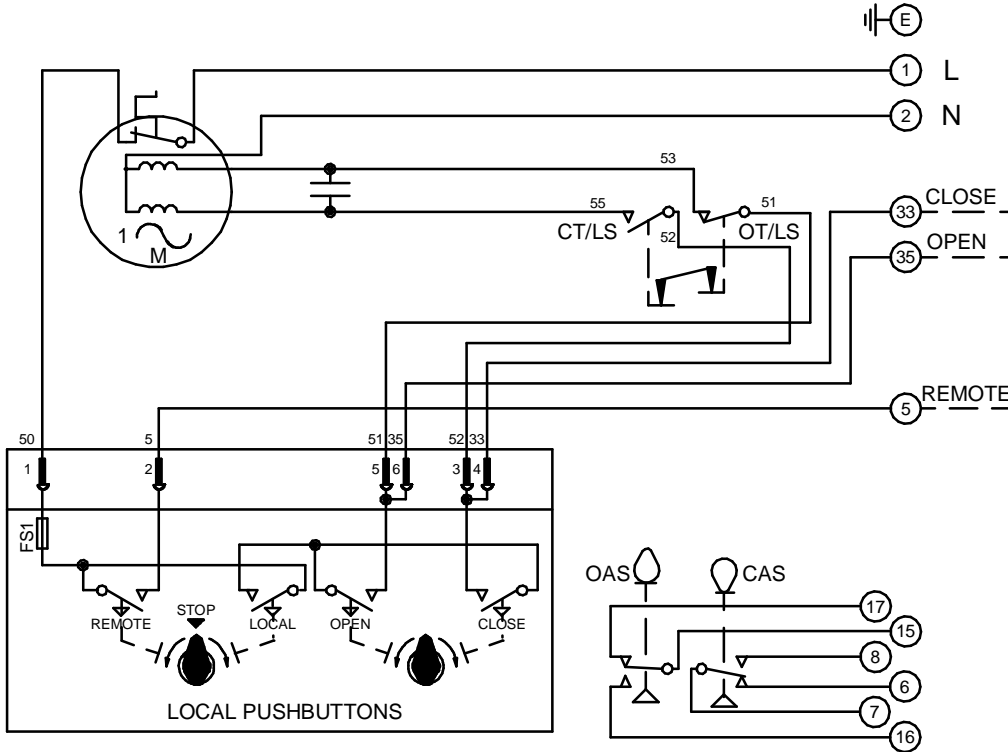


CIRCUIT IS DRAWN FOR A VALVE IN THE FULLY CLOSED POSITION

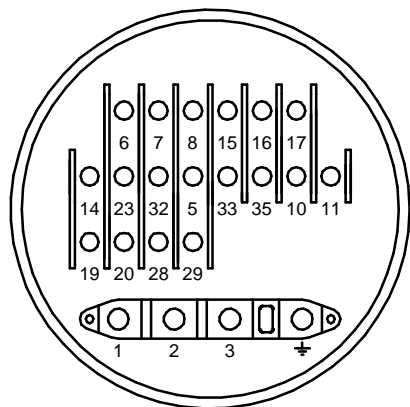
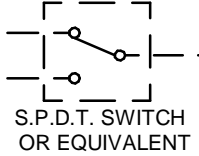
CIRCUIT IS DRAWN FOR A VALVE IN THE FULLY CLOSED POSITION

Circuit Diagram No - Issue No

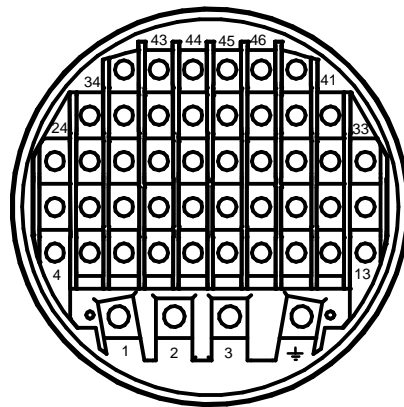
2P00Q00A - 05



**WARNING**  
IT IS ESSENTIAL THAT REMOTE CONTROL CIRCUITS ARE DESIGNED SO THAT AN OPEN AND A CLOSE SIGNAL CAN NEVER BE APPLIED SIMULTANEOUSLY.



TERMINAL BUNG  
( FOR WT ACTUATOR )



TERMINAL BUNG  
( FOR WTC ACTUATOR )

OT/LS - OPEN TORQUE/LIMIT SWITCH.  
CT/LS - CLOSE TORQUE/LIMIT SWITCH.  
OAS - OPEN AUXILIARY SWITCH.  
CAS - CLOSE AUXILIARY SWITCH.

WIRES ARE IDENTIFIED AT EACH END BY TERMINAL NUMBER OR NUMBER SHOWN.  
ALLOW MINIMUM 2 SECOND DELAY WHEN CONTROL SIGNALS ARE REVERSED TO ENSURE MOTOR REVERSAL.  
FS1 - 6.3A

Iss	Date	Chkd	Revision Details
03		PGS	SIMILAR TO 2P00Q00A JOB NO ----
04	190292	T.W	WARNING NOTE ADDED. CHECKED K.S 190292
05	260417	JS	PAK TERMINAL BUNG INTRODUCED FOR WTC APPLICATION FC7024.

**centork**

ROTORK CONTROLS (INDIA) PRIVATE LTD  
28B, AMBATTUR INDUSTRIAL ESTATE (NORTH),  
AMBATTUR, CHENNAI - 600 098 INDIA.  
Tel:044-39555600

Q - STANDARD + PUSHBUTTONS -

Drawn by: K.S  
Date : 020490  
Base WD: 2P00Q00A  
Job No : ---  
MI No : .

Circuit Diagram No  
**2P00Q00A**  
Issue No  
**5**