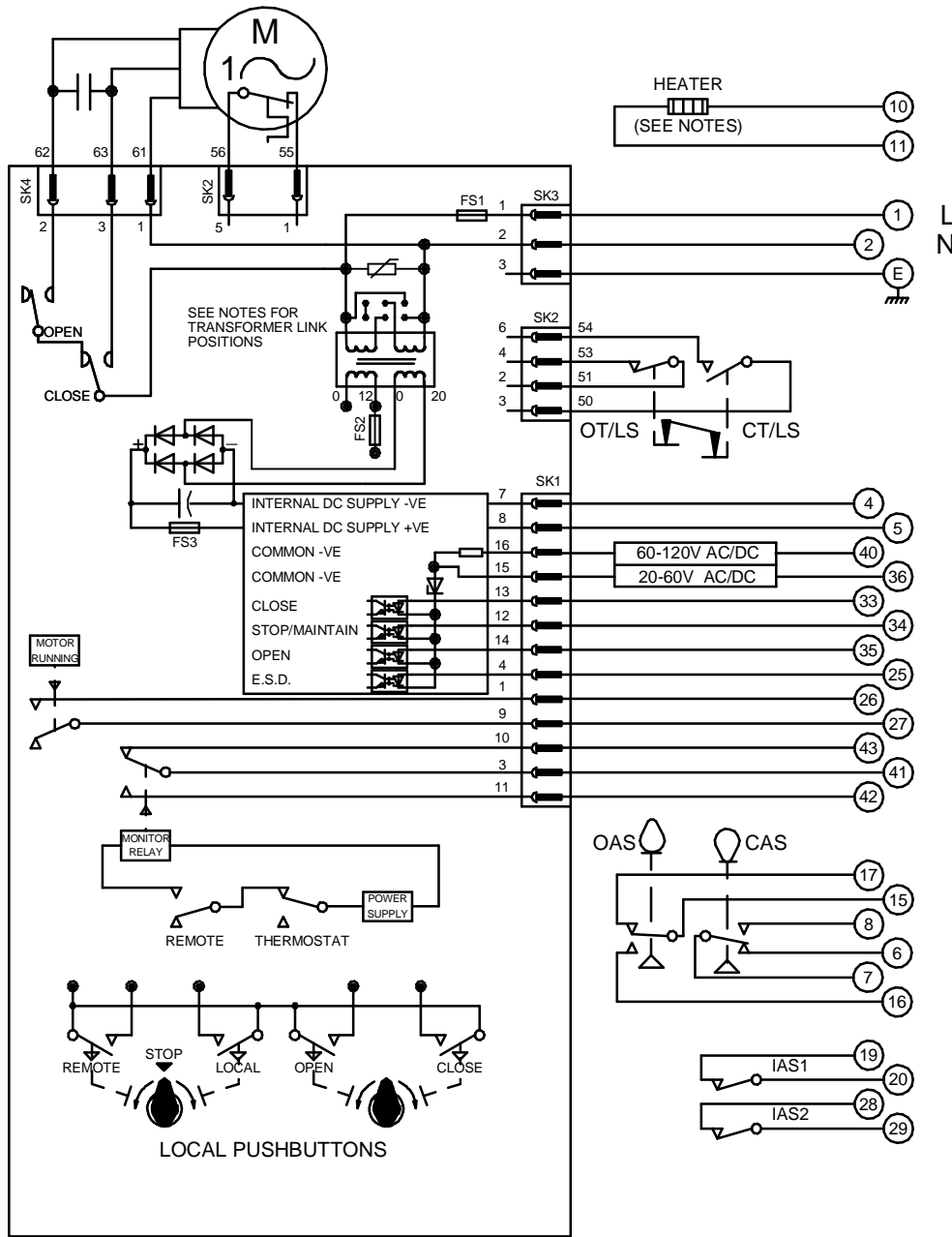


CIRCUIT IS DRAWN FOR A VALVE IN THE FULLY CLOSED POSITION

Circuit Diagram No - Issue No

1P35Q00 - 03



TRANSFORMER VOLTAGE SELECTION



SET SWITCH AS ABOVE FOR 198V - 264V SUPPLIES



SET SWITCH AS ABOVE FOR 99V - 132V SUPPLIES

- OT/LS - OPEN TORQUE/LIMIT SWITCH.
- CT/LS - CLOSE TORQUE/LIMIT SWITCH.
- OAS - OPEN AUXILIARY SWITCH.
- CAS - CLOSE AUXILIARY SWITCH.
- IAS1 & 2 - INTERMEDIATE AUXILIARY SWITCHES ADJUSTABLE TO MAKE OR BREAK INDIVIDUALLY AT ANY POSITION.
- WIRES ARE IDENTIFIED AT EACH END BY TERMINAL NUMBER OR NUMBER SHOWN.
- FS1 - 6.3A
- FS2 - 250mA
- FS3 - 160mA
- TERMINALS 4 & 5 FUSED INTERNALLY AT 160mA
- 12W (MAX) HEATER FITTED AS STANDARD. UNLESS OTHERWISE REQUESTED, HEATERS FITTED WILL BE : 120V (2K OHM) OR 240V (5.62K OHM).

Iss	Date	Chkd	Revision Details
02	220192	T.W	SIMILAR TO 1P35Q00 JOB NO --- SK1 & SK4 PIN NOD CORRECTED. CHECKED K.S.
03	270417	JS	FUSE RATING & TRANSFORMER VOLTAGE SELECTION CHANGED AS PER NEW PCB ECN / 7023

centork
 ROTORK CONTROLS (INDIA) PRIVATE LTD
 28B, AMBATTUR INDUSTRIAL ESTATE (NORTH),
 AMBATTUR, CHENNAI - 600 098 INDIA.
 Tel:044-39555600

Q-PAK + 2 INTERMEDIATE SW + HEATER.

Drawn by: K.S Date : 040490 Base WD: 1P35Q00 Job No : -- MI No : .	Circuit Diagram No 1P35Q00	Issue No 3
--	--------------------------------------	----------------------