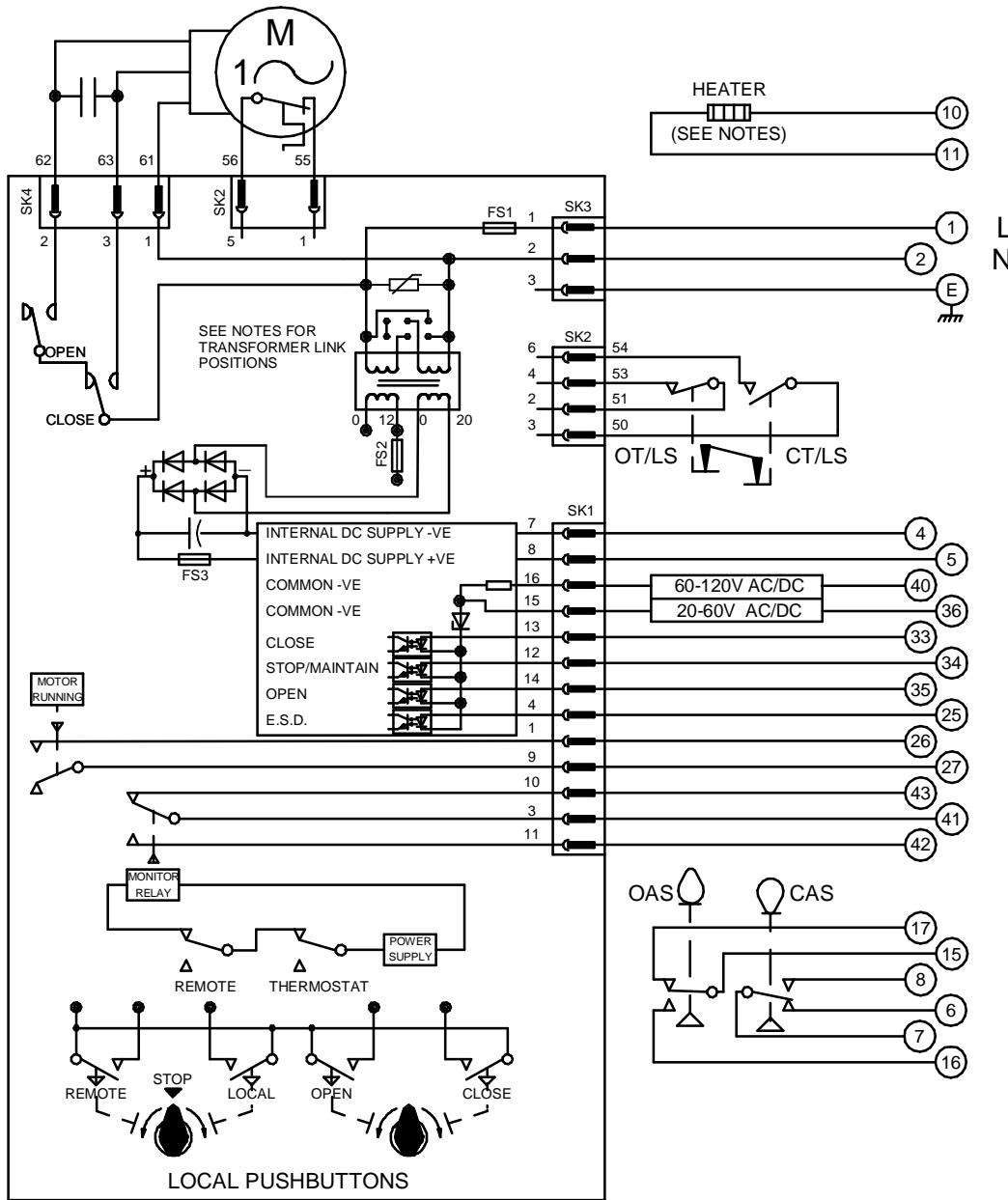


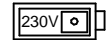
CIRCUIT IS DRAWN FOR A VALVE IN THE FULLY CLOSED POSITION

Circuit Diagram No - Issue No

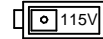
1P32Q30 - 02



TRANSFORMER VOLTAGE SELECTION



SET SWITCH AS ABOVE FOR 198V - 264V SUPPLIES



SET SWITCH AS ABOVE FOR 99V - 132V SUPPLIES

- OT/LS - OPEN TORQUE/LIMIT SWITCH.
- CT/LS - CLOSE TORQUE/LIMIT SWITCH.
- OAS - OPEN AUXILIARY SWITCH.
- CAS - CLOSE AUXILIARY SWITCH.

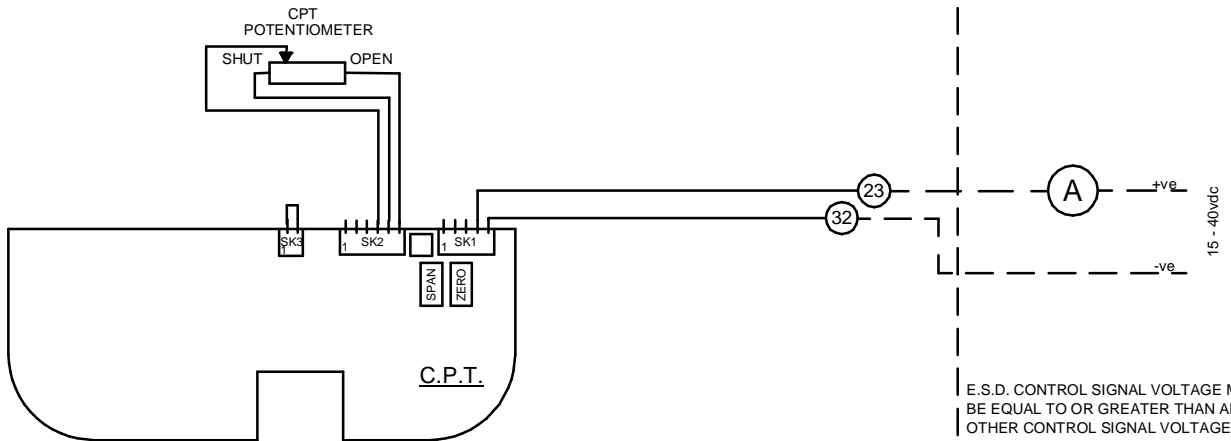
WIRES ARE IDENTIFIED AT EACH END BY TERMINAL NUMBER OR NUMBER SHOWN.

- FS1 - 6.3A
- FS2 - 250mA
- FS3 - 160mA

TERMINALS 4 & 5 FUSED INTERNALLY AT 160mA

12W (MAX) HEATER FITTED AS STANDARD. UNLESS OTHERWISE REQUESTED, HEATERS FITTED WILL BE :

- 120V (2K OHM) OR 240V (5.62K OHM).



E.S.D. CONTROL SIGNAL VOLTAGE MUST BE EQUAL TO OR GREATER THAN ALL OTHER CONTROL SIGNAL VOLTAGES.

| Iss | Date | Chkd | Revision Details |
|-----|--------|------|---|
| 01 | 220192 | T.W | SIMILAR TO 1P32Q30 JOB NO --- SK1 & SK4 PIN NOD CORRECTED. CHECKED K.S. |
| 02 | 270417 | JS | FUSE RATING & TRANSFORMER VOLTAGE SELECTION CHANGED AS PER NEW PCB ECN / 7023 |

centork
 ROTORK CONTROLS (INDIA) PRIVATE LTD
 28B, AMBATTUR INDUSTRIAL ESTATE (NORTH),
 AMBATTUR, CHENNAI - 600 098 INDIA.
 Tel:044-39555600

Q-PAK + POT. + HEATER + EXT PWR CPT.
 Drawn by: PJW
 Date : 211294
 Base WD: 1P32Q60
 Job No : --
 MI No : .

| | |
|--------------------|----------|
| Circuit Diagram No | Issue No |
| 1P32Q30 | 2 |