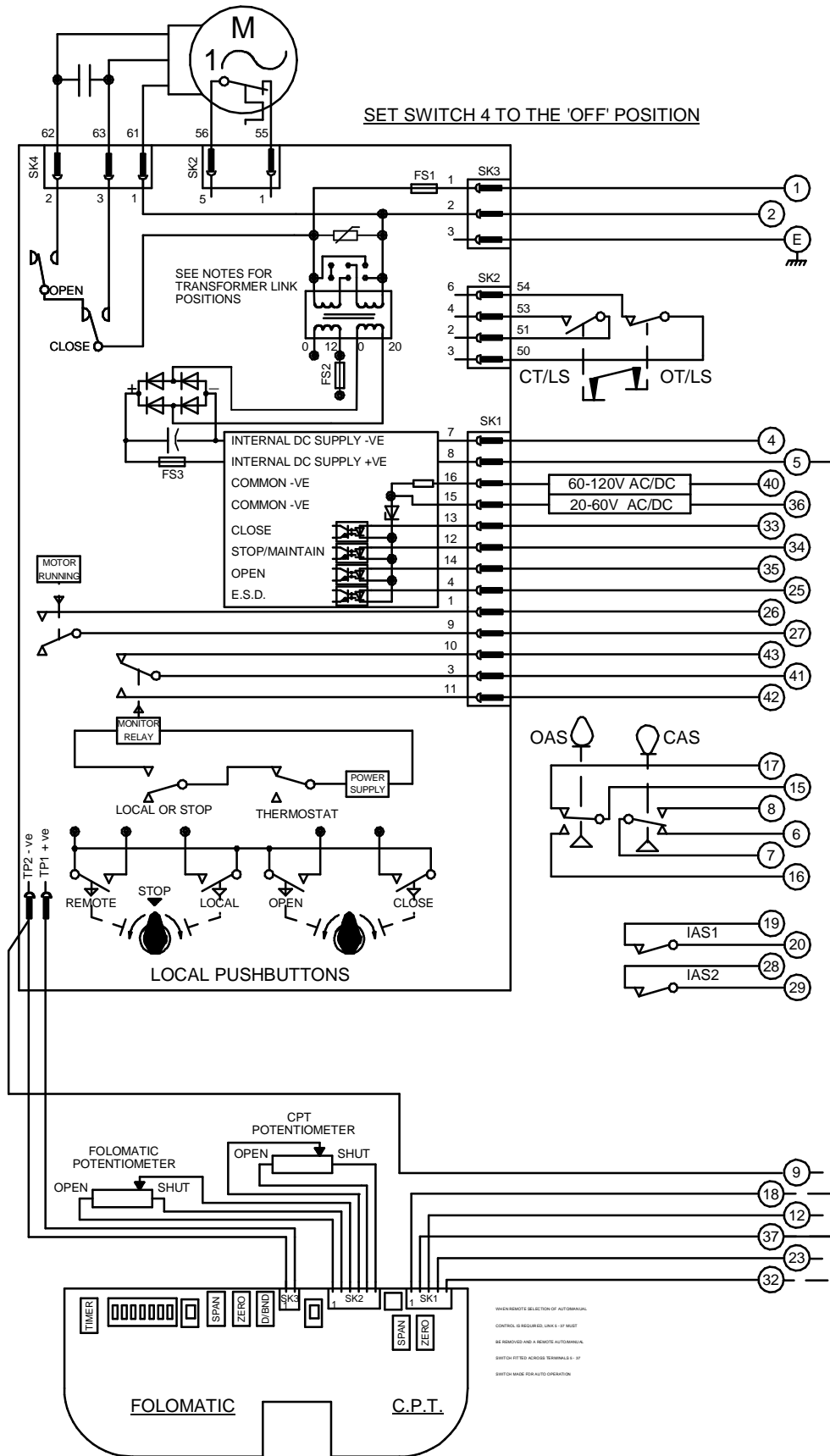


CIRCUIT IS DRAWN FOR A VALVE IN THE FULLY CLOSED POSITION

Circuit Diagram No - Issue No

1P03Q90A - 06



TRANSFORMER VOLTAGE SELECTION



SET SWITCH AS ABOVE FOR 198V - 264V SUPPLIES



SET SWITCH AS ABOVE FOR 99V - 132V SUPPLIES

- OT/LS - OPEN TORQUE/LIMIT SWITCH.
 - CT/LS - CLOSE TORQUE/LIMIT SWITCH.
 - OAS - OPEN AUXILIARY SWITCH.
 - CAS - CLOSE AUXILIARY SWITCH.
- WIRES ARE IDENTIFIED AT EACH END BY TERMINAL NUMBER OR NUMBER SHOWN.
- FS1 - 6.3A
 - FS2 - 250mA
 - FS3 - 160mA
- TERMINALS 4 & 5 FUSED INTERNALLY AT 160mA
- 12W (MAX) HEATER FITTED AS STANDARD. UNLESS OTHERWISE REQUESTED, HEATERS FITTED WILL BE :
- 120V (2K OHM) OR 240V (5.6K OHM).
- E.S.D. CONTROL SIGNAL VOLTAGE MUST BE EQUAL TO OR GREATER THAN ALL OTHER CONTROL SIGNAL VOLTAGES.

Iss	Date	Chkd	Revision Details
05	110294	T.W	SIMILAR TO 1P03Q90A JOB NO --- AUTO/MANUAL MOD P2269 CHECKED K.S.
06	270417	JS	FUSE RATING & TRANSFORMER VOLTAGE SELECTION CHANGED AS PER NEW PCB ECN / 7023

centork

ROTORK CONTROLS (INDIA) PRIVATE LTD
28B, AMBATTUR INDUSTRIAL ESTATE (NORTH),
AMBATTUR, CHENNAI - 600 098 INDIA.
Tel:044-39555600

Q-PAK + 2 POTS + FOLO + CPT + 2 IND. SW.

Drawn by: T.A
Date : 290890
Base WD: 1P03Q90A
Job No : --
MI No : .

Circuit Diagram No	Issue No
1P03Q90A	6