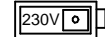


CIRCUIT IS DRAWN FOR A VALVE IN THE FULLY CLOSED POSITION

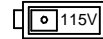
Circuit Diagram No - Issue No

1P05Q00 - 05

TRANSFORMER VOLTAGE SELECTION



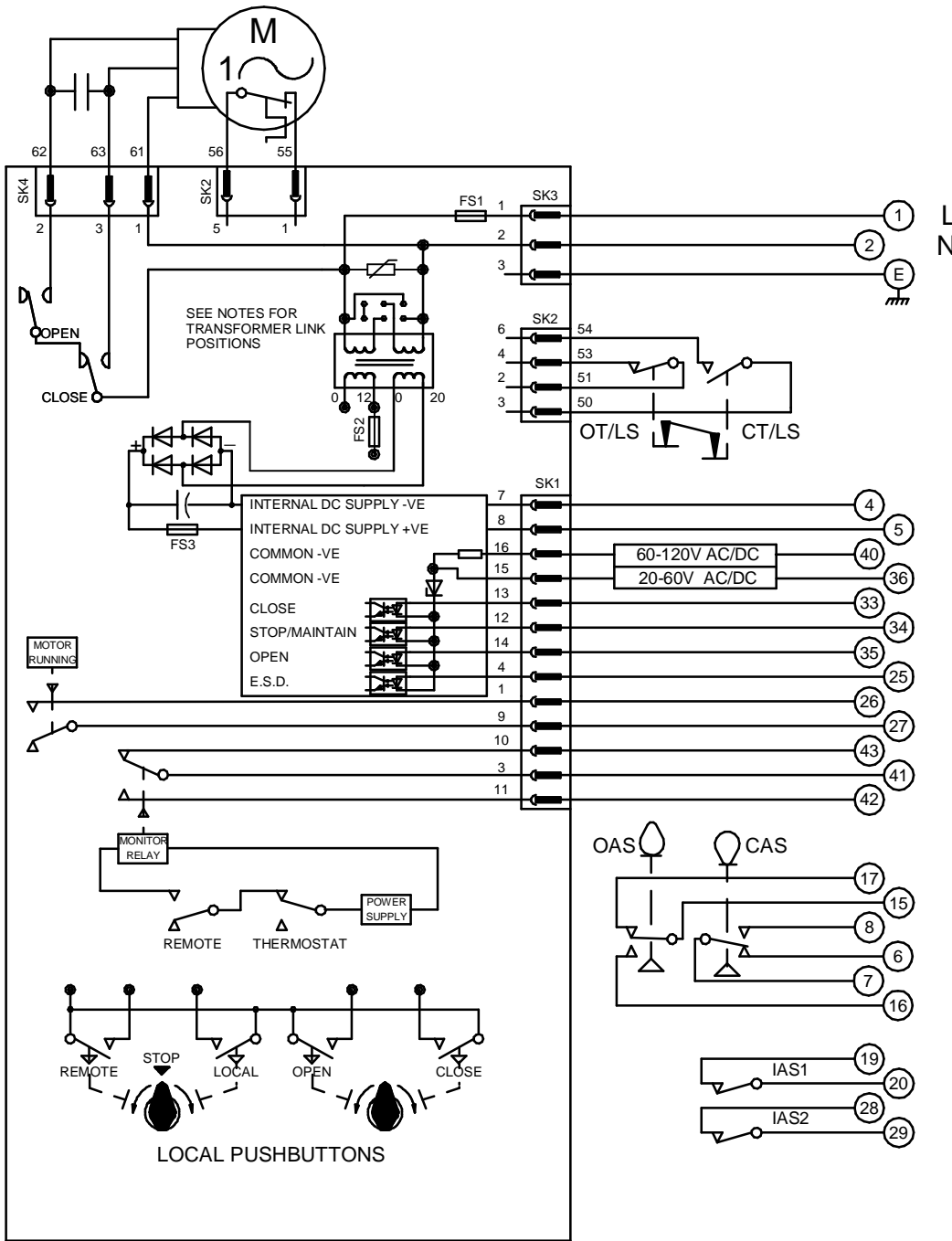
SET SWITCH AS ABOVE FOR 198V - 264V SUPPLIES



SET SWITCH AS ABOVE FOR 99V - 132V SUPPLIES

- OT/LS - OPEN TORQUE/LIMIT SWITCH.
- CT/LS - CLOSE TORQUE/LIMIT SWITCH.
- OAS - OPEN AUXILIARY SWITCH.
- CAS - CLOSE AUXILIARY SWITCH.
- IAS1 & 2 - INTERMEDIATE AUXILIARY SWITCHES ADJUSTABLE TO MAKE OR BREAK INDIVIDUALLY AT ANY POSITION.
- WIRES ARE IDENTIFIED AT EACH END BY TERMINAL NUMBER OR NUMBER SHOWN.
- FS1 - 6.3A
- FS2 - 250mA
- FS3 - 160mA
- TERMINALS 4 & 5 FUSED INTERNALLY AT 160mA

E.S.D. CONTROL SIGNAL VOLTAGE MUST BE EQUAL TO OR GREATER THAN ALL OTHER CONTROL SIGNAL VOLTAGES.



Iss	Date	Chkd	Revision Details
04	220192	T.W	SIMILAR TO 1P05Q00 JOB NO --- SK1 & SK4 PIN NOD CORRECTED. CHECKED K.S.
05	270417	JS	FUSE RATING & TRANSFORMER VOLTAGE SELECTION CHANGED AS PER NEW PCB ECN / 7023

**centork**

ROTORK CONTROLS (INDIA) PRIVATE LTD  
28B, AMBATTUR INDUSTRIAL ESTATE (NORTH),  
AMBATTUR, CHENNAI - 600 098 INDIA.  
Tel:044-39555600

Q-PAK + 2 INTERMEDIATE SW -	
Drawn by: K.S Date : 040490 Base WD: 1P05Q00 Job No : -- MI No : .	<b>Circuit Diagram No</b> <b>1P05Q00</b> <b>Issue No</b> <b>5</b>