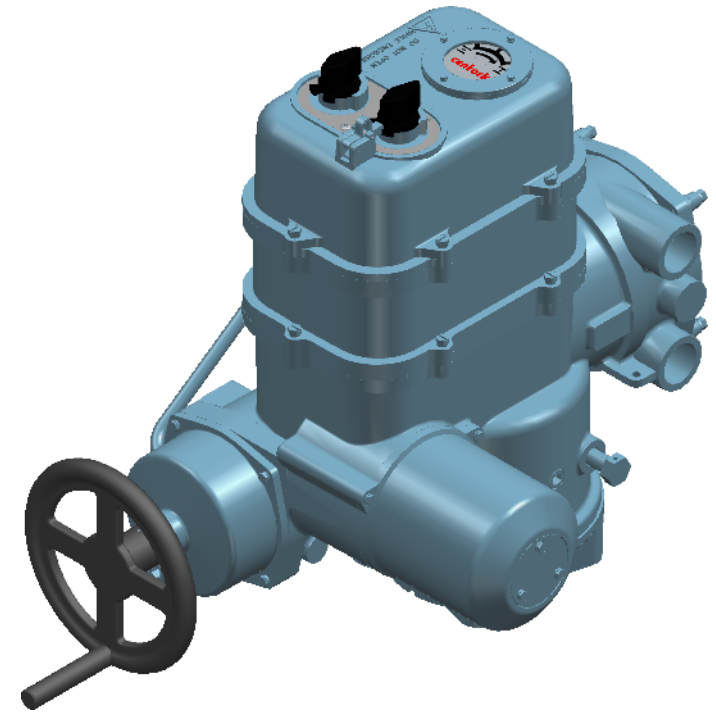
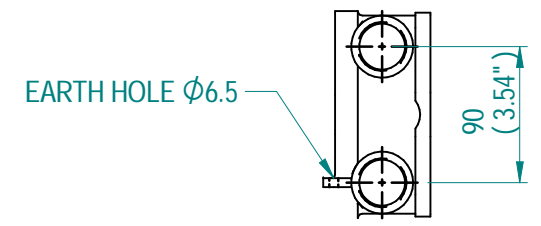


3D VIEW (1:5)



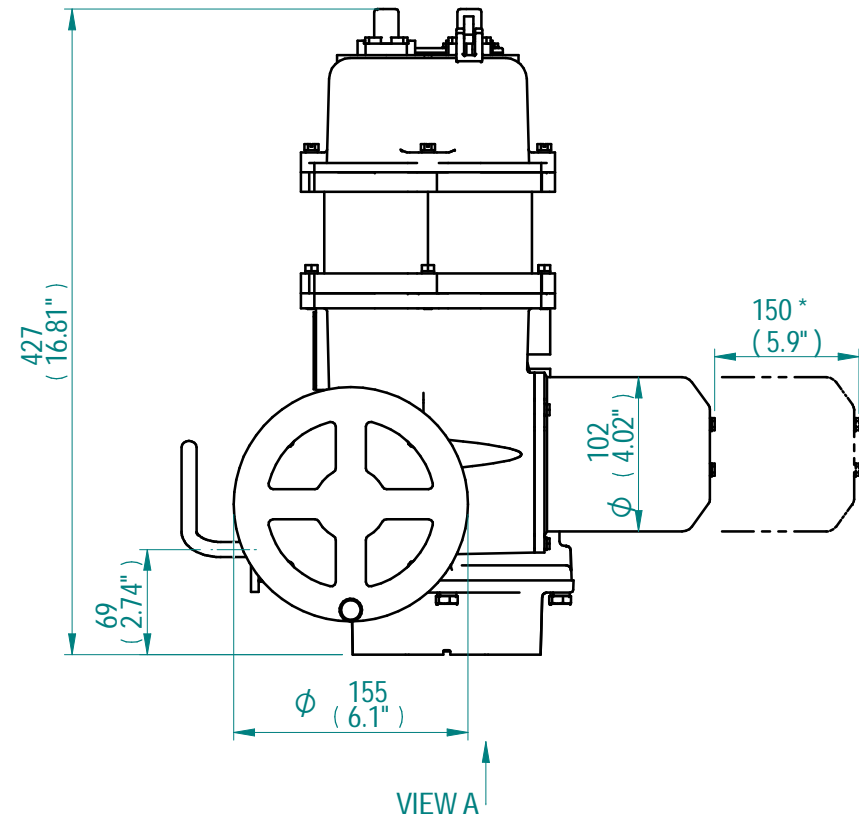
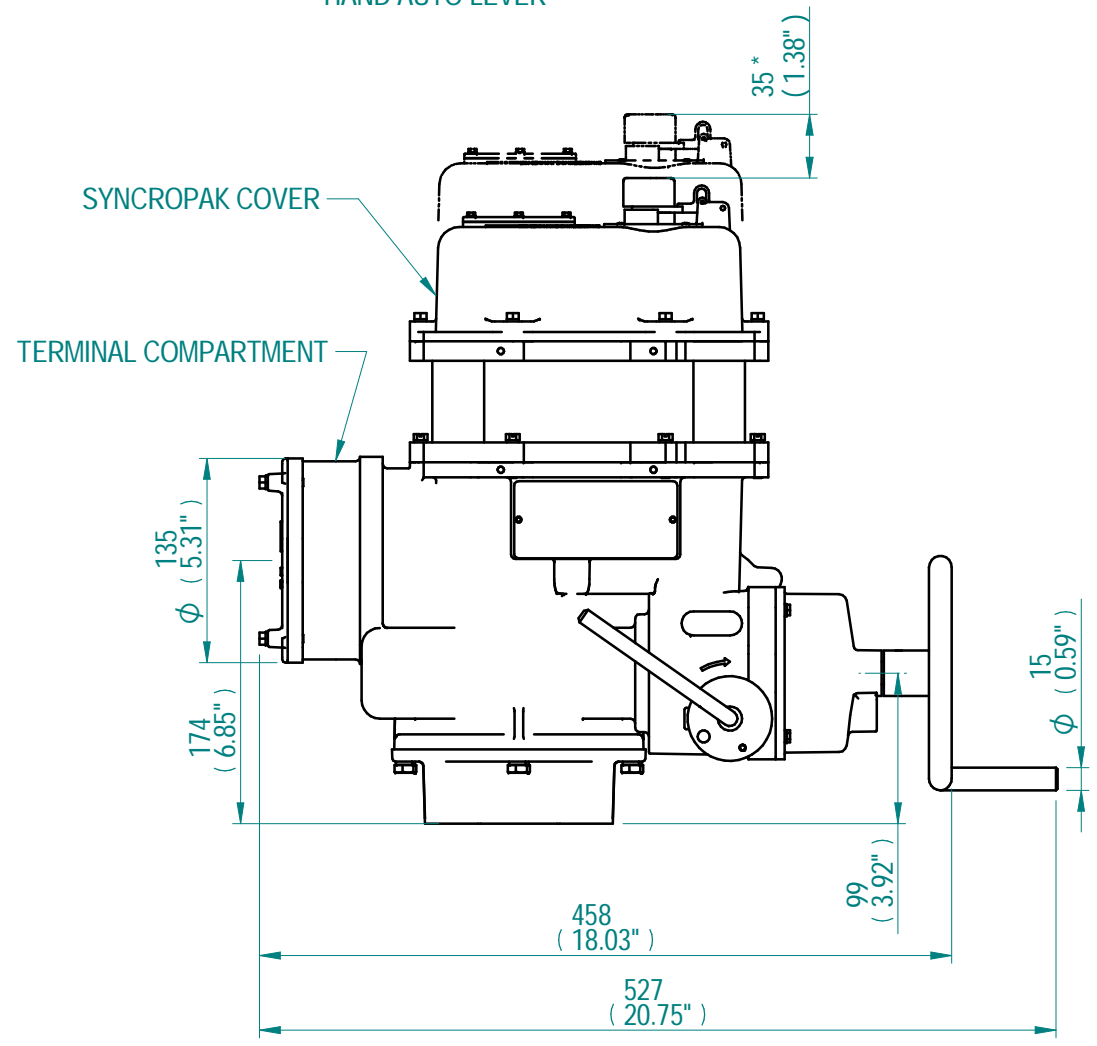
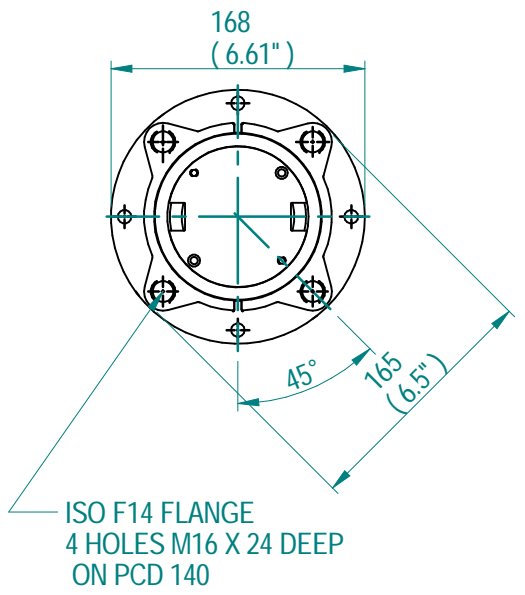
NOTES:
 1. * COVER REMOVABLE ALLOWANCE
 2. APPROXIMATE WEIGHT IS 28 Kg

CONDUIT ENTRIES: (NTS)



STANDARD : 2 X M32
 ALTERNATIV IF SPECIFIED: 2 X 1 1/4" NPT

VIEW A DETAILS: (NTS)



VIEW A

Rev	ECN	Revised	Rev. Approved	Date	Change Description
0	-	-	-	13-01-21	FIRST ISSUE

<p>centork Chennai - India</p>	©2021 Rotork Group of Companies. All rights reserved. This document and its contents may not be reproduced, distributed, transmitted, displayed, published, or broadcast, in whole, or in part, without the prior express written permission of Rotork Group of Companies.		Dimensions in mm Scale: 1:5	Title: CENTORK Q650 3 PHASE F14 FLANGE	
	Created	AM	2021-01-13	Drawing Number	
	Checked	DAB	2020-06-18	BR/MISC-11268	
Approved	DAB	2020-06-18	Nominal Mass -	Size A3	Sheet 1 of 1