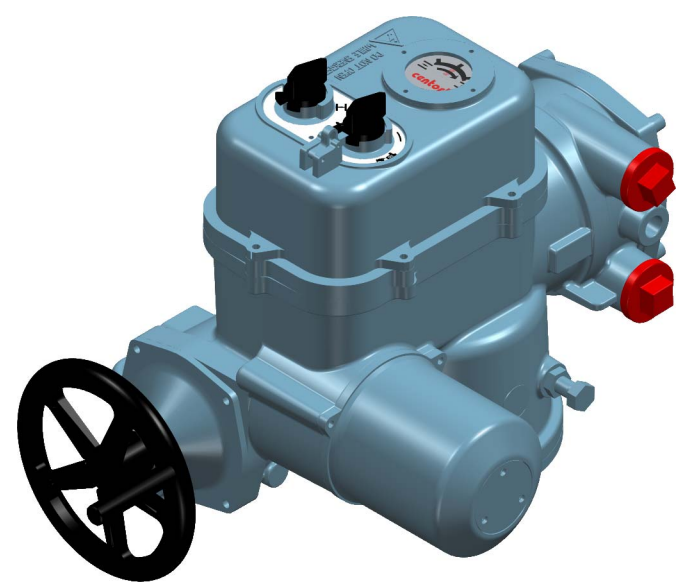
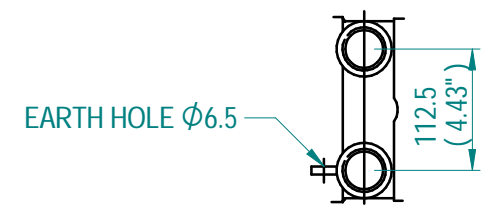


3D VIEW (1:5)



NOTES:
 1. * COVER REMOVABLE ALLOWANCE
 2. APPROXIMATE WEIGHT IS 24 Kg

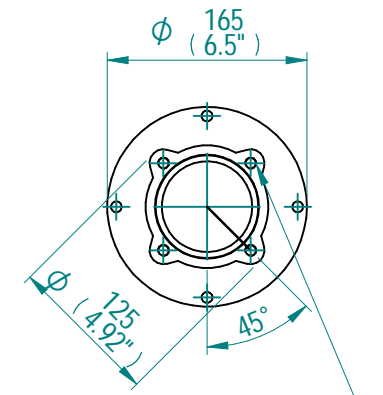
CONDUIT ENTRIES: (NTS)



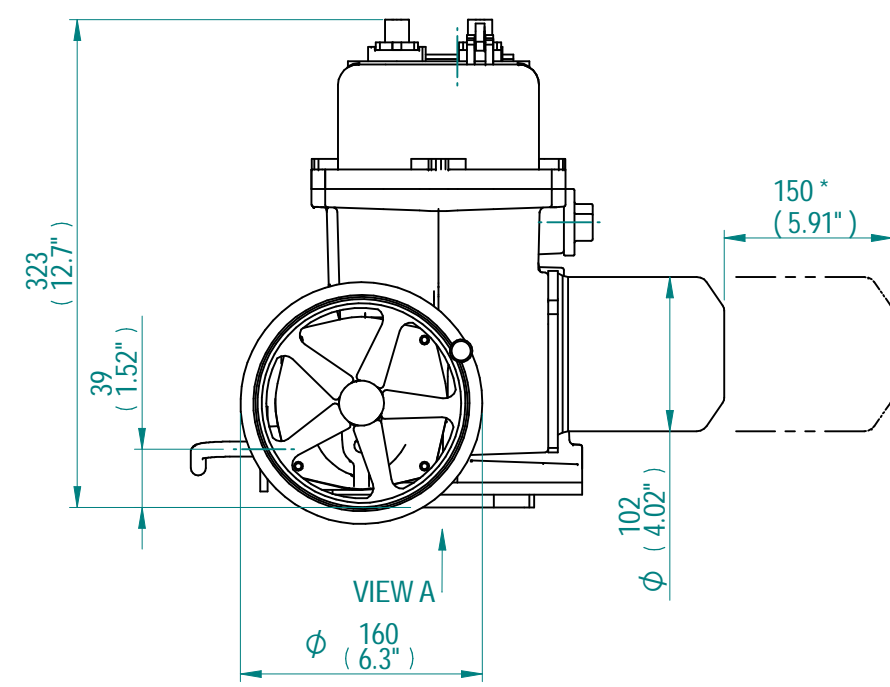
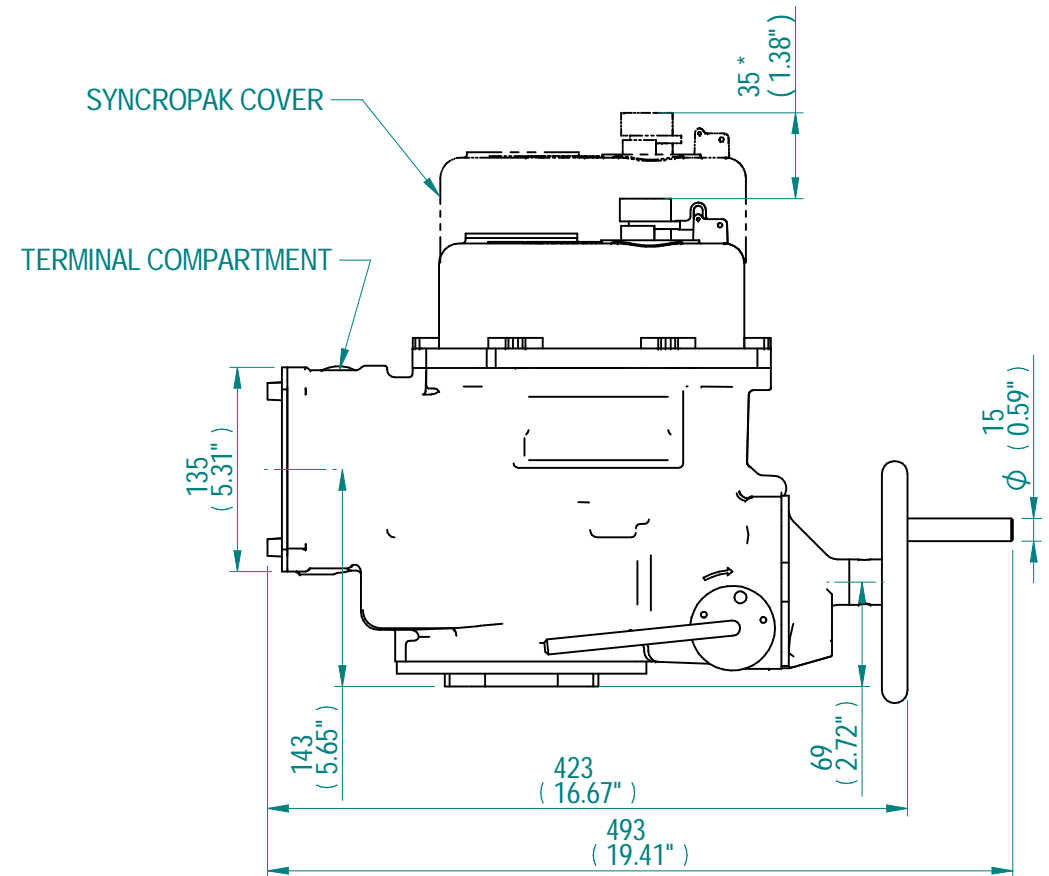
STANDARD : 2 X M32

ALTERNATIV IF SPECIFIED: 2 X 1 1/4 NPT

VIEW A DETAILS: (NTS)



ISO F07 FLANGE
 4 HOLES M8X12 DEEP
 ON 70 PCD
 OR
 ISO F10 FLANGE
 4 HOLES M10X24 DEEP
 ON 102 PCD



<p>Chennai - India</p>		©2021 Rotork Group of Companies. All rights reserved. This document and its contents may not be reproduced, distributed, transmitted, displayed, published, or broadcast, in whole, or in part, without the prior express written permission of Rotork Group of Companies.		Dimensions in mm Scale 1:5		Title CENTORK Q300 1 PHASE F07 / F10	
		Created AM Checked DAB Approved DAB	2021-01-13 2020-06-18 2020-06-18	Drawing Number BR/MISC - 11265		Rev 0	
Rev 0 ECN - Revised - Rev. Approved -		Date 13-01-21 FIRST ISSUE		Change Description		Nominal Mass - Size A3 Sheet 1 of 1	