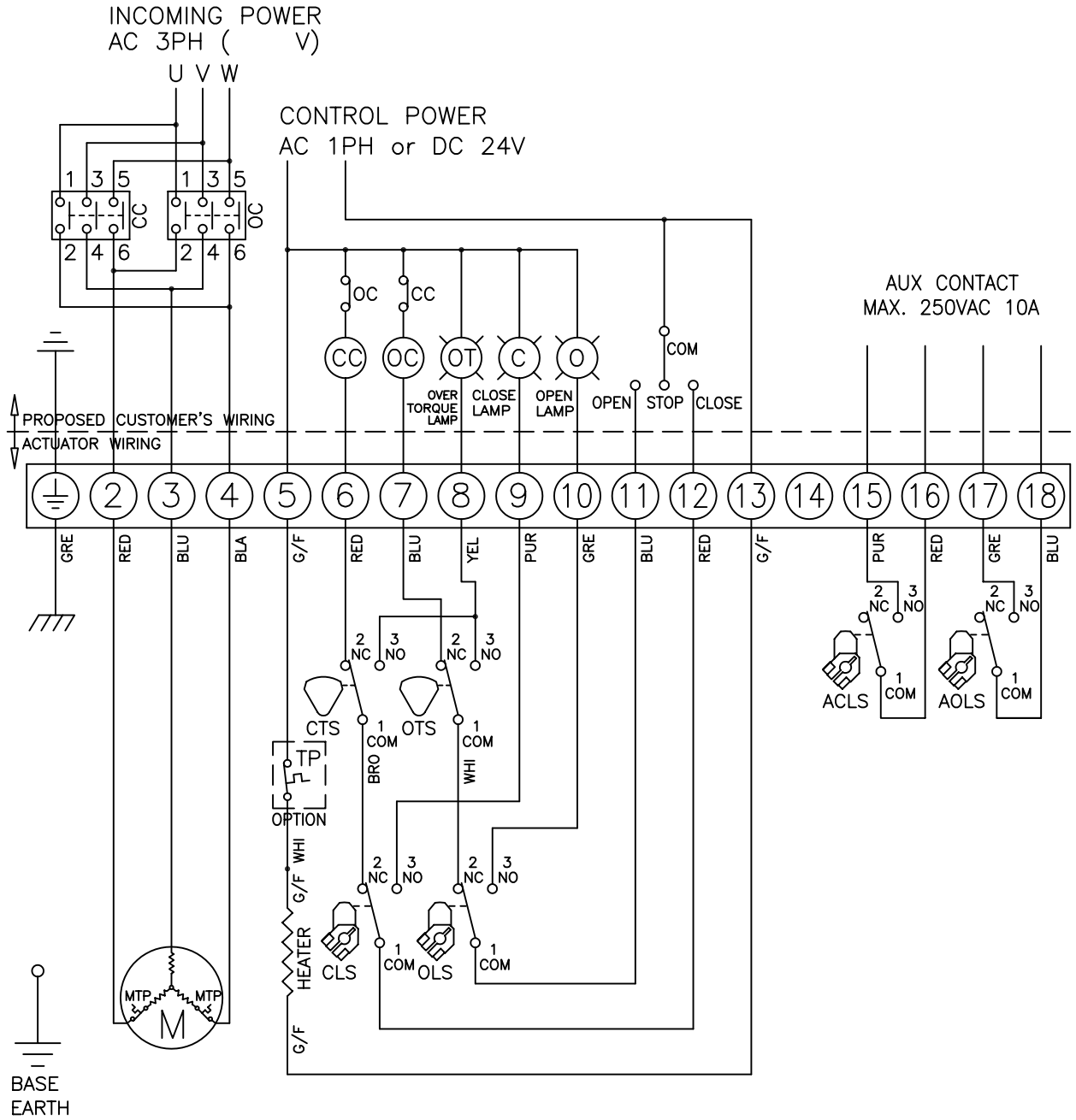


CLS : CLOSE LIMIT SWITCH (250VAC 10A)  
 OLS : OPEN LIMIT SWITCH (250VAC 10A)  
 CTS : CLOSE TORQUE SWITCH (250VAC 10A)  
 OTS : OPEN TORQUE SWITCH (250VAC 10A)  
 ACLS : AUX. CLOSE LIMIT SWITCH (250VAC 10A)  
 AOLS : AUX. OPEN LIMIT SWITCH (250VAC 10A)  
 TP : THERMAL PROTECTOR (250VAC 15A OPTION)  
 \*EACH ACTUATOR SHOULD BE POWERED THROUGH ITS OWN INDIVIDUAL SWITCH OR RELAY CONTACTS TO PREVENT CROSS FEED BETWEEN TWO OR MORE ACTUATORS.

TORQUE AND LIMIT SWITCHES OPERATION			
SWITCH	CLOSE ←	INTERMEDIATE	→ OPEN
CLS 1-2			
CLS 1-3			
OLS 1-2			
OLS 1-3			
ACLS1-2			
ACLS1-3			
AOLS1-2			
AOLS1-3			
CTS 1-3	* CLOSING TORQUE SWITCH INTERRUPTS CONTROL IF MECHANICAL OVERLOAD OCCURS DURING CLOSING CYCLE		
OTS 1-3	* OPENING TORQUE SWITCH INTERRUPTS CONTROL IF MECHANICAL OVERLOAD OCCURS DURING OPENING CYCLE		

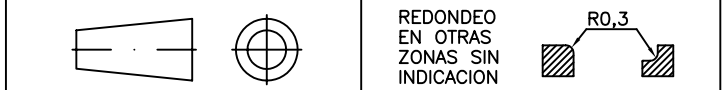


MODIFICACION	FECHA	MODIFICACION	FECHA
A REVISION (IM 09.09)	18/06/04	C -	-
B -	-	D -	-

	FECHA	FIRMA
DIBUJADO	23/09/09	IM
REVISADO	23/09/09	IM
VERIFICADO	23/09/09	IM



Propiedad de CENTORK VALVE CONTROL S.L. prohibida su utilizacion reproduccion y distribucion sin autorizacion expresa por escrito



ESCALA  
 480 SERIES WIRING DIAGRAM  
 480.015/480.110 MODEL  
 AC THREE PHASE  
 STD-ALS

TOLERANCIAS GENERALES DIMENSIONALES AGUEROS: H12, EJES: h12 ROSCAS: GRADO MEDIO H6/g6 S/DIN13, LONGITUDES: Js12		
FORMATO	N° DE PLANO	HOJA
A4	D8003X2	N°: 1 de 1