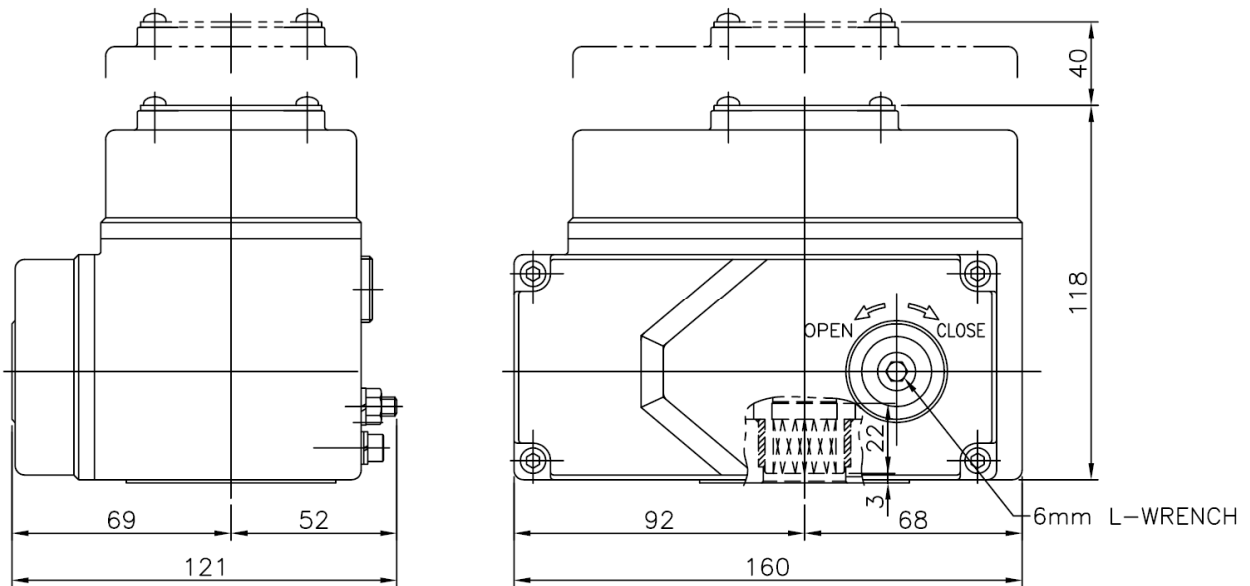


**QUARTER-TURN ELECTRIC ACTUATOR
480.007 MODEL**

480

SERIES



Dimensions in mm. Weight: 3,5 Kgs.

Description:

Direct Quarter-turn electric actuator designed for the operation of valves with less than 360° turn. Through the use of double worm gearbox, tight position control and self-locking are guaranteed.

General specification:

- Swing angle: 90° (+-5°).
- Valve coupling: F05 and F07 according to ISO5211. Removable drive bushing for machining.
- Limit switching: Adjustable cams directly mounted on the output spindle(SPDT 250VAC)
- Torque switching: Not available.
- Position indicator: Continuous mechanical position, window in top cover
- Heater: Anticondensation heater, 3W self-regulating
- Motor: Class E protection, protected by thermostiches. Supplies:
1 Phase AC or 24 VDC.
- Manual operation: For emergency operation. By wrench, directly to the worm gear.
- Ambient temperature: -20°C to +70°C
- Enclosure: IP67 according to EN 60529. IP68 optional.
- Finish coating: Two component epoxy coating. P1 or P2 corrosion protections optional.
- Electrical connection: By terminals.Cable entries E1 & E2: M20x1,5.

Direct Quarter-Turn actuators				Valve stem			Handwheel		1-110V/50-60Hz			1-230V/50-60Hz			3-400V/50Hz			24 VDC		
Max Torque	CENTORK Model	Op. Time 50Hz/60Hz (90°)	Valve Coupling	Máx. Diam	Max. Square	Máx head flats	n turns	Diameter	Power	Nom. Current	Max. Current	Power	Nom. Current	Nom. Current	Power	Nom. Current	Nom. Current	Power	Nom. Current	Nom. Current
N.m		secs	ISO 5211	mm	mm	mm		mm	W	A	A	W	A	A	W	A	A	W	A	A
80	480.007	16/14	F05 / F07	14	17	11	7	6	10	0.97	1,14	10	0.52	0.74	10	0.52	0.62	10	0.8	3.8

VALVE CONTROL



Nº :

E1480C015

Revision:

06.16