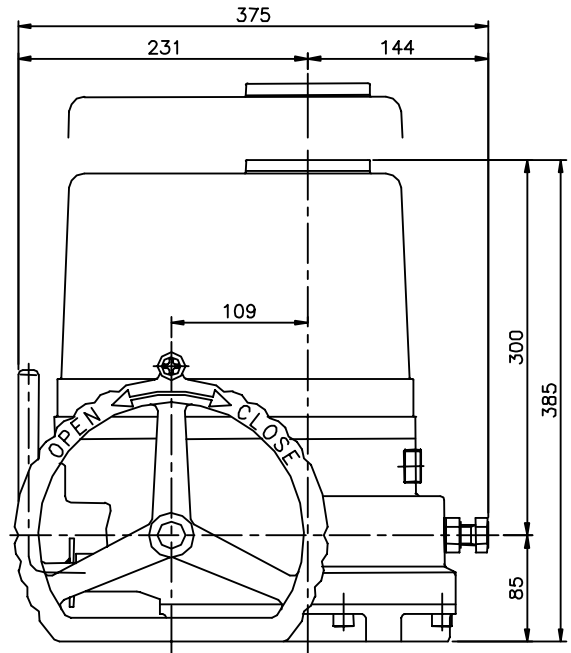
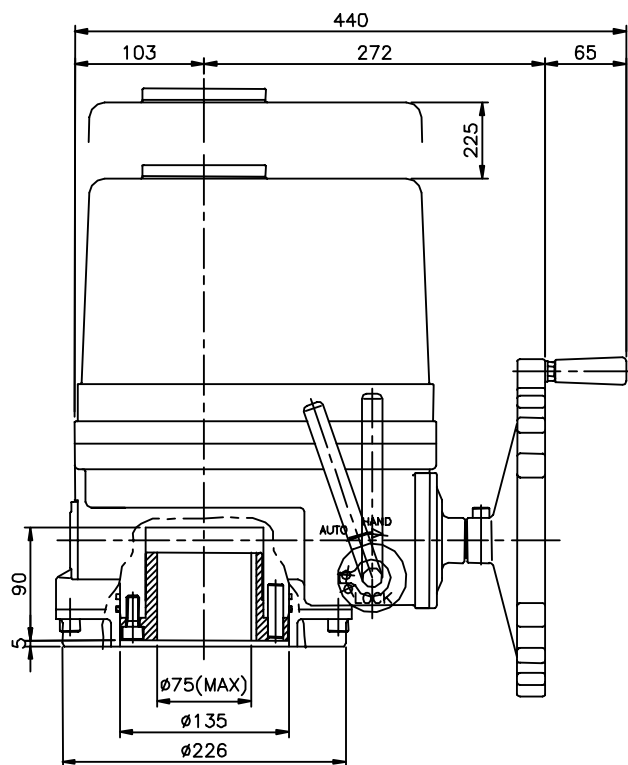


QUARTER-TURN ELECTRIC ACTUATOR 480.200 MODEL

480 SERIES



Dimensions in mm.

Weight: 42 Kgs.

Description:

Direct Quarter-turn electric actuator designed for the operation of valves with less than 360° turn. Through the use of double worm gearbox, tight position control and self-locking are guaranteed.

General specification:

- Swing angle: 90° (+5°). Options: 120°, 180°, 270°.
- Valve coupling: According to ISO5211. Removable drive bushing for machining.
- Limit switching: Adjustable cams directly mounted on the output spindle (SPDT 250VAC)
- Torque switching: For both open and closing direction (SPDT 250VAC)
- Position indicator: Mechanical, window in top cover.
- Heater: Anticondensation heater, 7-10W self-regulating
- Motor: Class F protection, protected by thermostats. Supplies: 3 Phase AC, 1 Phase AC
- Manual operation: For emergency operation. Detclutchable override lever, motor priority. Padlockable. Never rotate during electric operation
- Ambient temperature: -25°C to +70°C
- Enclosure: IP67 according to EN 60529. IP68 optional.
- Finish coating: Two component epoxy coating. P1 or P2 corrosion protections optional.
- Electrical connection: By terminals. Cable entries E1 & E2: M25x1,5.

Subject to change without notice. Previous data sheets with the issue of the latest data sheets

Direct Quarter-Turn actuators					Valve stem			Handwheel		1-110V/50-60Hz			1-230V/50-60Hz			3-400V/50Hz			24 VDC		
Max Torque N.m	CENTORK Model	Op. Time 50Hz/60Hz (90°) secs	Valve Coupling ISO 5211	Weight kg	Máx. Diam mm	Max. Square mm	Máx head flats mm	n turns	Diameter mm	Power W	Nom. Current A	Max. Current A	Power W	Nom. Current A	Nom. Current A	Power W	Nom. Current A	Nom. Current A	Power W	Nom. Current A	Nom. Current A
2000	480.200	59/50	F16	42	75	64	64	13	120	750	4.6	11.1	750	2.5	4.7	750	1.3	3.9	-Not available-		

VALVE CONTROL



N° :

E1480X085

Issued :

05.12