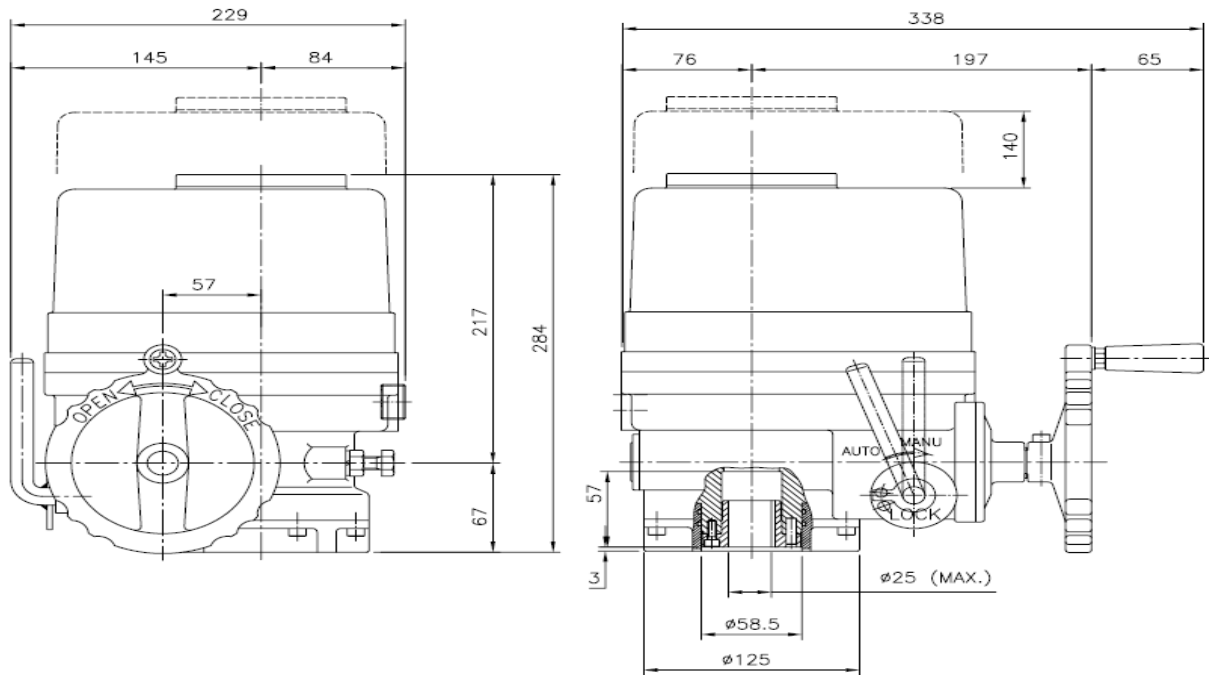


**QUARTER-TURN ELECTRIC ACTUATOR  
480.015 MODEL**

**480**

**SERIES**



Dimensions in mm. Weight: 15 Kgs.

**Description:**

Direct Quarter-turn electric actuator designed for the operation of valves with less than 360° turn. Through the use of double worm gearbox, tight position control and self-locking are guaranteed.

**General specification:**

- Swing angle: 90° (+-5°). Options: 120°, 180°, 270°.
- Valve coupling: According to ISO5211. Removable drive bushing for machining.
- Limit switching: Adjustable cams directly mounted on the output spindle(SPDT 250VAC)
- Torque switching: For both open and closing direction (SPDT 250 VAC rating).
- Position indicator: Mechanical, window in top cover.
- Heater: Anticondensation heater, 5W self-regulating
- Motor: Class F protection, protected by thermostiches. Supplies: 3 Phase AC, 1 Phase AC or 24 VDC.
- Manual operation: For emergency operation. Never rotate during electric operation
- Ambient temperature: -20°C to +70°C
- Enclosure: IP67 according to EN 60529. IP68 optional.
- Finish coating: Two component epoxy coating. P1 or P2 corrosion protections optional.
- Electrical connection: By terminals.Cable entries E1 & E2: M25x1,5.

Direct Quarter-Turn actuators					Valve stem			Handwheel	3-400V/50Hz			1-220V/50Hz			
Max Torque N.m	CENTORK Model	Op. Time 50Hz/60Hz (90°) secs	Valve Coupling ISO 5211	Weight kg	Máx. Diam mm	Max. Square mm	Máx head flats mm	n turns	Diameter mm	Power W	Nom. Current A	Nom. Current A	Power W	Nom. Current A	Nom. Current A
160	480.015	26	F07/F10	15	25	23	22	12	150	40	0,3	0,66	40	0,85	1,18

**VALVE CONTROL**



Nº :

**E1480A030**

Revision:

**06.16**