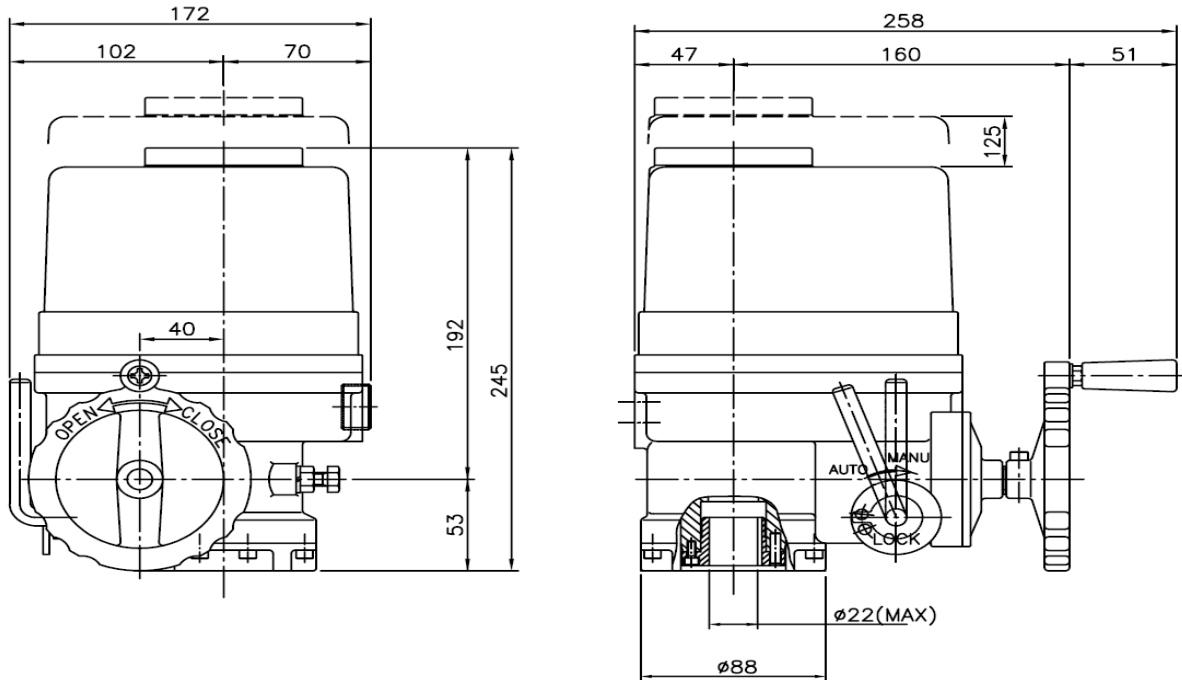


# QUARTER-TURN ELECTRIC ACTUATOR 480.010 MODEL

## 480

## SERIES



Dimensions in mm. Weight: 7 Kgs.

### Description:

Direct Quarter-turn electric actuator designed for the operation of valves with less than 360° turn. Through the use of double worm gearbox, tight position control and self-locking are guaranteed.

### General specification:

- Swing angle: 90° (+-5°).
- Valve coupling: According to ISO5211. Removable drive bushing for machining.
- Limit switching: Adjustable cams directly mounted on the output spindle (SPDT 250VAC)
- Torque switching: Not available.
- Position indicator: Mechanical, window in top cover.
- Heater: Anticondensation heater, 5W self-regulating
- Motor: Class F protection, protected by thermostats. Supplies: 3 Phase AC, 1 Phase AC or 24 VDC.
- Manual operation: For emergency operation. Detachable override lever, motor priority. Padlockable. Never rotate during electric operation
- Ambient temperature: -20°C to +70°C
- Enclosure: IP67 according to EN 60529. IP68 optional.
- Finish coating: Two component epoxy coating. P1 or P2 corrosion protections optional.
- Electrical connection: By terminals. Cable entries E1 & E2: M25x1,5.

Direct Quarter-Turn actuators					Valve stem			Hand wheel	1-110V/50-60Hz			1-230V/50-60Hz			3-400V/50Hz			24 VDC			
Max Torque N.m	CENTORK Model	Op. Time 50Hz/60Hz (90°) secs	Valve Coupling ISO 5211	Weight kg	Máx. Diam mm	Max. Square mm	Máx head flats mm	n turns	Diameter mm	Power W	Nom. Current A	Max. Current A	Power W	Nom. Current A	Max. Current A	Power W	Nom. Current A	Max. Current A	Power W	Nom. Current A	Max. Current A
100	480.010	21/18	F07	7	22	20	19	10	120	15	1,1	1,49	15	0,58	0,83	15	0,23	0,36	15	2,8	-

**VALVE CONTROL**



Nº :

**E1480B020**

Revision:

**06.16**