

CIRCUIT IS DRAWN FOR A VALVE IN THE FULLY CLOSED POSITION

Circuit Diagram No - Issue No

6P04Q90 - 01

TRANSFORMER TAPPING OPTIONS

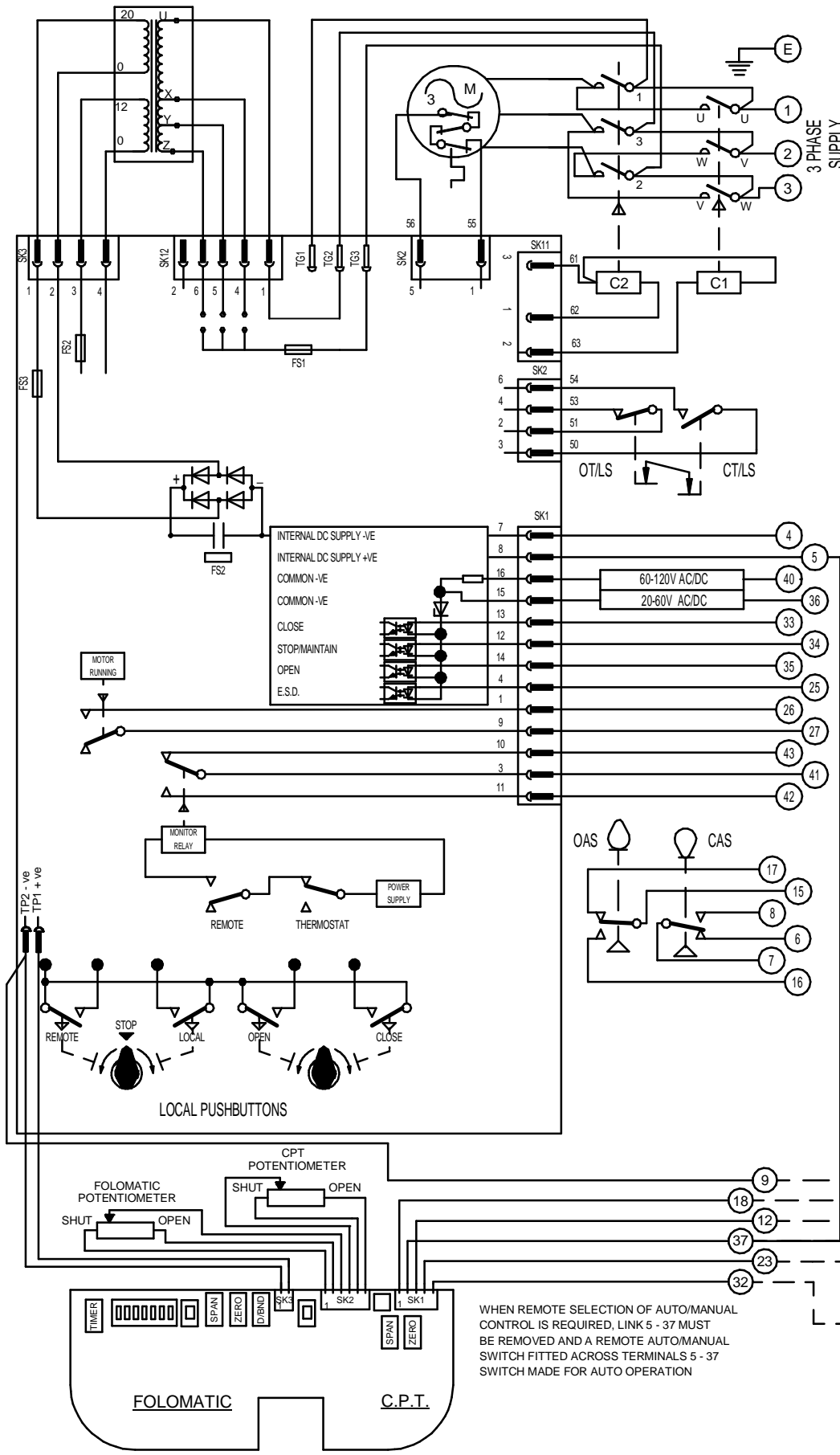
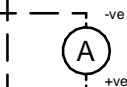
TAP	NOM50/60HZ	50HZ	60HZ
X	380/440	342-418	396-484
Y	400/460	360-440	414-506
Z	415/480	373-457	432-528

JUMPER AT LK2 FOR TAPPING X
 JUMPER AT LK3 FOR TAPPING Y
 JUMPER AT LK4 FOR TAPPING Z

OT/LS - OPEN TORQUE/LIMIT SWITCH.
 CT/LS - CLOSE TORQUE/LIMIT SWITCH.
 OAS - OPEN AUXILIARY SWITCH.
 CAS - CLOSE AUXILIARY SWITCH.
 IAS1 & 2 - INTERMEDIATE AUXILIARY
 SWITCHES ADJUSTABLE TO MAKE OR
 BREAK INDIVIDUALLY AT ANY POSITION.
 WIRES ARE IDENTIFIED AT EACH END BY
 TERMINAL NUMBER OR NUMBER SHOWN.
 FS1 - 100 mA
 FS2 - 1 A
 FS3 - 250 mA
 TERMINALS 4 & 5 FUSED
 INTERNALLY AT 160mA
 12W (MAX) HEATER FITTED AS STANDARD.
 UNLESS OTHERWISE REQUESTED, HEATERS
 FITTED WILL BE : 240V (5.62K OHM).
 E.S.D. CONTROL SIGNAL VOLTAGE MUST
 BE EQUAL TO OR GREATER THAN ALL
 OTHER CONTROL SIGNAL VOLTAGES.

ANALOGUE INPUTS
 (FOR DETAILS, SEE ROTORK
 PUBLICATION PUB007-008-00)

MANUAL/AUTO.



WHEN REMOTE SELECTION OF AUTO/MANUAL
 CONTROL IS REQUIRED, LINK 5 - 37 MUST
 BE REMOVED AND A REMOTE AUTO/MANUAL
 SWITCH FITTED ACROSS TERMINALS 5 - 37
 SWITCH MADE FOR AUTO OPERATION

Iss	Date	Chkd	Revision Details
01	010318	JS	FIRST ISSUE

centork

ROTORK CONTROLS (INDIA) PRIVATE LTD
 28B, AMBATTUR INDUSTRIAL ESTATE (NORTH),
 AMBATTUR, CHENNAI - 600 098 INDIA.

Tel:044-39555600

Q-PAK. + 2 POTENTIOMETERS +
 FOLOMATIC + C.P.T

Drawn by: JS
 Date : 010318
 Base WD:
 Job No : --
 MI No : .

Circuit Diagram No
6P04Q90
 Issue No
1