

CIRCUIT IS DRAWN FOR A VALVE IN THE FULLY CLOSED POSITION

Circuit Diagram No - Issue No

6P02Q70 - 01

TRANSFORMER TAPPING OPTIONS

TAP	NOM50/60HZ	50HZ	60HZ
X	380/440	342-418	396-484
Y	400/460	360-440	414-506
Z	415/480	373-457	432-528

JUMPER AT LK2 FOR TAPPING X
 JUMPER AT LK3 FOR TAPPING Y
 JUMPER AT LK4 FOR TAPPING Z

OT/LS - OPEN TORQUE/LIMIT SWITCH.
 CT/LS - CLOSE TORQUE/LIMIT SWITCH.
 OAS - OPEN AUXILIARY SWITCH.
 CAS - CLOSE AUXILIARY SWITCH.

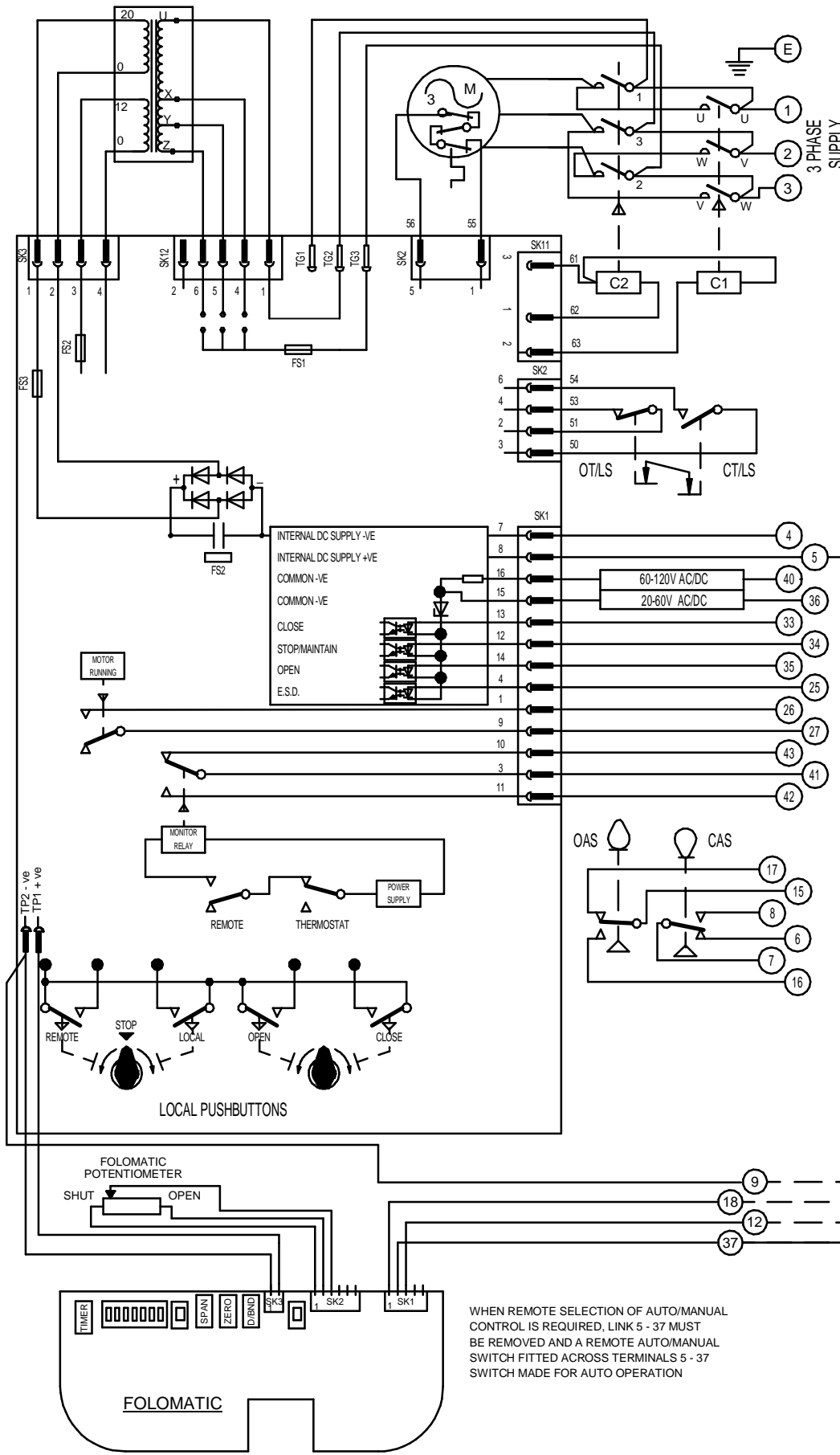
WIRES ARE IDENTIFIED AT EACH END BY
 TERMINAL NUMBER OR NUMBER SHOWN.

FS1 - 100 mA
 FS2 - 1 A
 FS3 - 250 mA

TERMINALS 4 & 5 FUSED
 INTERNALLY AT 160mA

ANALOGUE INPUTS
 (FOR DETAILS, SEE ROTORK
 PUBLICATION PUB007-008-00)

MANUAL/AUTO.



WHEN REMOTE SELECTION OF AUTO/MANUAL
 CONTROL IS REQUIRED, LINK 5 - 37 MUST
 BE REMOVED AND A REMOTE AUTO/MANUAL
 SWITCH FITTED ACROSS TERMINALS 5 - 37
 SWITCH MADE FOR AUTO OPERATION

Iss	Date	Chkd	Revision Details
01	161118	JS	FIRST ISSUE

centork

ROTORK CONTROLS (INDIA) PRIVATE LTD
 28B, AMBATTUR INDUSTRIAL ESTATE (NORTH),
 AMBATTUR, CHENNAI - 600 098 INDIA.
 Tel:044-39555600

Q-PAK. + POT. + FOLOMATIC

Drawn by: JS
 Date : 161118
 Base WD:
 Job No : --
 MI No : .

Circuit Diagram No
6P02Q70
 Issue No
1