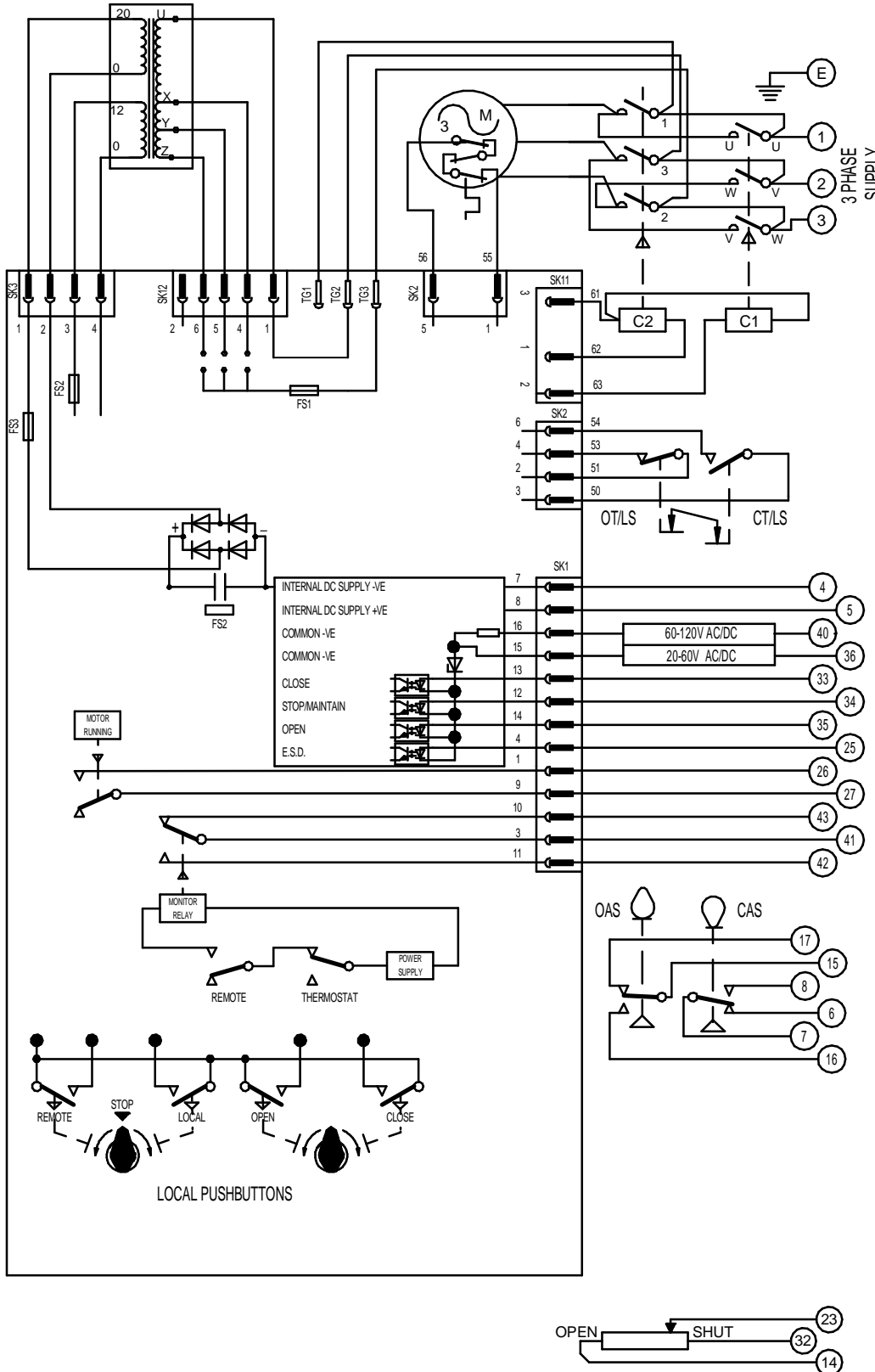


CIRCUIT IS DRAWN FOR A VALVE IN THE FULLY CLOSED POSITION

Circuit Diagram No - Issue No

6P02Q00 - 01



TRANSFORMER TAPPING OPTIONS

TAP	NOM50/60HZ	50HZ	60HZ
X	380/440	342-418	396-484
Y	400/460	360-440	414-506
Z	415/480	373-457	432-528

JUMPER AT LK2 FOR TAPPING X

JUMPER AT LK3 FOR TAPPING Y

JUMPER AT LK4 FOR TAPPING Z

- OT/LS - OPEN TORQUE/LIMIT SWITCH.
- CT/LS - CLOSE TORQUE/LIMIT SWITCH.
- OAS - OPEN AUXILIARY SWITCH.
- CAS - CLOSE AUXILIARY SWITCH.

WIRES ARE IDENTIFIED AT EACH END BY TERMINAL NUMBER OR NUMBER SHOWN.

FS1 - 100 mA

FS2 - 1 A

FS3 - 250 mA

TERMINALS 4 & 5 FUSED

INTERNALLY AT 160mA

E.S.D. CONTROL SIGNAL VOLTAGE MUST BE EQUAL TO OR GREATER THAN ALL OTHER CONTROL SIGNAL VOLTAGES.

Iss	Date	Chkd	Revision Details
01	120218	JS	FIRST ISSUE

centork

ROTORK CONTROLS (INDIA) PRIVATE LTD
 28B, AMBATTUR INDUSTRIAL ESTATE (NORTH),
 AMBATTUR, CHENNAI - 600 098 INDIA.
 Tel:044-39555600

Q-PAK + POTENTIOMETER

Drawn by: JS
 Date : 120218
 Base WD: 6P00Q00
 Job No : --
 MI No : --

Circuit Diagram No	Issue No
6P02Q00	1