

CIRCUIT IS DRAWN FOR A VALVE IN THE FULLY CLOSED POSITION

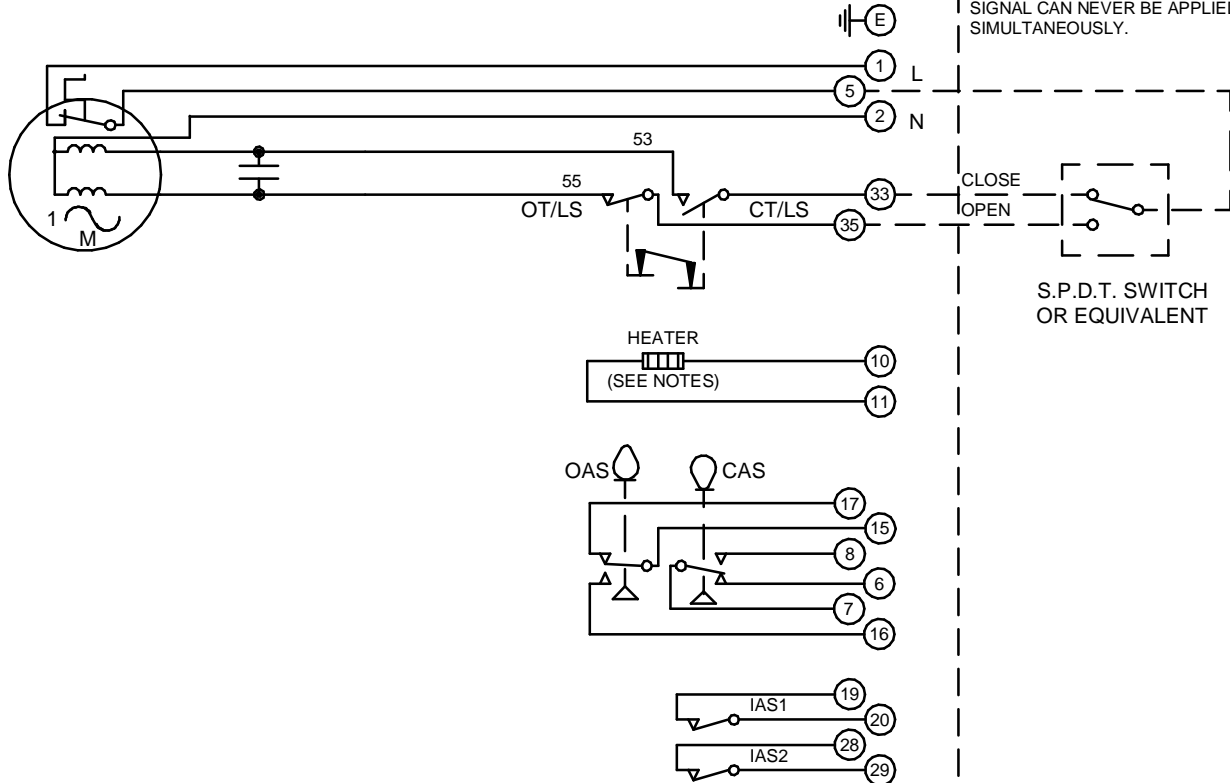
CIRCUIT IS DRAWN FOR A VALVE IN THE FULLY CLOSED POSITION

Circuit Diagram No - Issue No

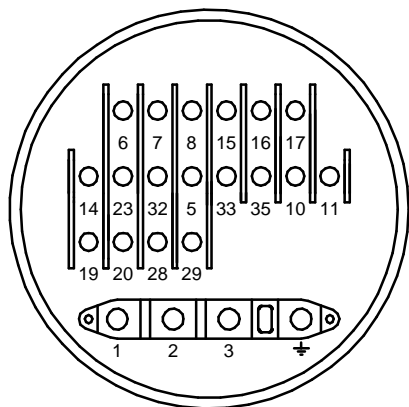
2S35Q00 - 03

**WARNING**

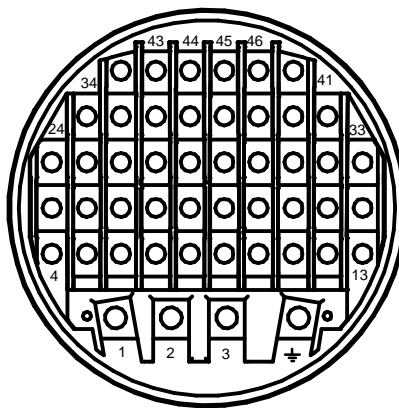
IT IS ESSENTIAL THAT REMOTE CONTROL CIRCUITS ARE DESIGNED SO THAT AN OPEN AND A CLOSE SIGNAL CAN NEVER BE APPLIED SIMULTANEOUSLY.



S.P.D.T. SWITCH OR EQUIVALENT



TERMINAL BUNG  
(FOR WT ACTUATOR)



TERMINAL BUNG  
(FOR WTC ACTUATOR)

OT/LS - OPEN TORQUE/LIMIT SWITCH.  
CT/LS - CLOSE TORQUE/LIMIT SWITCH.  
OAS - OPEN AUXILIARY SWITCH.  
CAS - CLOSE AUXILIARY SWITCH.  
IAS1 & 2 - INTERMEDIATE AUXILIARY SWITCHES ADJUSTABLE TO MAKE OR BREAK INDIVIDUALLY AT ANY POSITION.  
WIRES ARE IDENTIFIED AT EACH END BY TERMINAL NUMBER OR NUMBER SHOWN.  
ALLOW MINIMUM 2 SECOND DELAY WHEN CONTROL SIGNALS ARE REVERSED TO ENSURE MOTOR REVERSAL.

12W (MAX) HEATER FITTED AS STANDARD. UNLESS OTHERWISE REQUESTED, HEATERS FITTED WILL BE:  
120V (2K OHM) OR 240V (5.6K OHM).

Iss	Date	Chkd	Revision Details
01		PGS	SIMILAR TO 2S35Q00 JOB NO ----
02	190292	T.W	WARNING NOTE ADDED. CHECKED K.S 190292
03	260417	JS	PAK TERMINAL BUNG INTRODUCED FOR WTC APPLICATION EC7024.

**centork**

ROTORK CONTROLS (INDIA) PRIVATE LTD  
28B, AMBATTUR INDUSTRIAL ESTATE (NORTH),  
AMBATTUR, CHENNAI - 600 098 INDIA.  
Tel:044-39555600

Q - STANDARD + HEATER + 2 INTERMEDIATE SWITCHES.

Drawn by: K.S  
Date : 020490  
Base WD: 2S35Q00  
Job No : ---  
MI No : .

Circuit Diagram No	Issue No
2S35Q00	3