

CIRCUIT IS DRAWN FOR A VALVE IN THE FULLY CLOSED POSITION

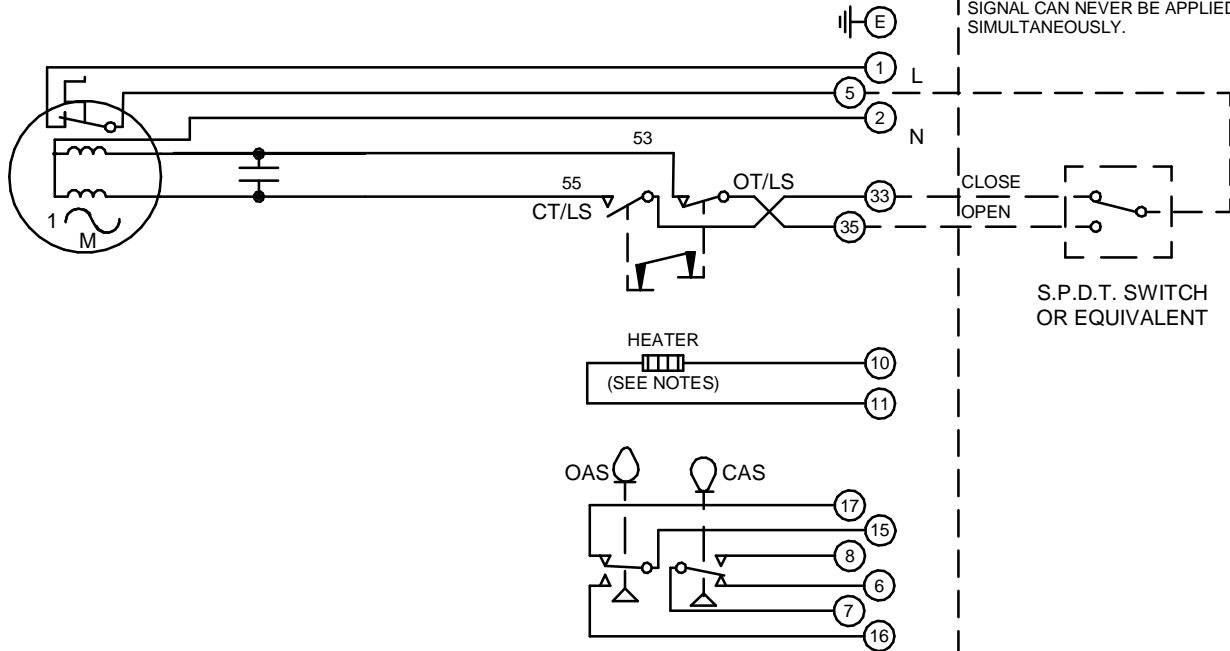
CIRCUIT IS DRAWN FOR A VALVE IN THE FULLY CLOSED POSITION

Circuit Diagram No - Issue No

2S30Q00A - 03

WARNING

IT IS ESSENTIAL THAT REMOTE CONTROL CIRCUITS ARE DESIGNED SO THAT AN OPEN AND A CLOSE SIGNAL CAN NEVER BE APPLIED SIMULTANEOUSLY.

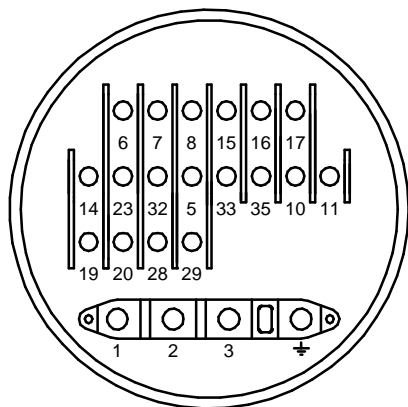


OT/LS - OPEN TORQUE/LIMIT SWITCH.
 CT/LS - CLOSE TORQUE/LIMIT SWITCH.
 OAS - OPEN AUXILIARY SWITCH.
 CAS - CLOSE AUXILIARY SWITCH.

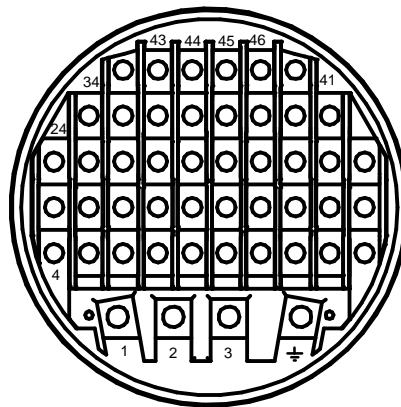
WIRES ARE IDENTIFIED AT EACH END BY TERMINAL NUMBER OR NUMBER SHOWN.

ALLOW MINIMUM 2 SECOND DELAY WHEN CONTROL SIGNALS ARE REVERSED TO ENSURE MOTOR REVERSAL.

12W (MAX) HEATER FITTED AS STANDARD. UNLESS OTHERWISE REQUESTED, HEATERS FITTED WILL BE :
 120V (2K OHM) OR 240V (5.62K OHM).



TERMINAL BUNG
(FOR WT ACTUATOR)



TERMINAL BUNG
(FOR WTC ACTUATOR)

Q - STANDARD + HEATER -

Iss	Date	Chkd	Revision Details
01		PGS	SIMILAR TO 2S30Q00A JOB NO ----
02	190292	T.W	WARNING NOTE ADDED. CHECKED K.S 190292
03	260417	JS	PAK TERMINAL BUNG INTRODUCED FOR WTC APPLICATION EC7024.

centork

ROTORK CONTROLS (INDIA) PRIVATE LTD
 28B, AMBATTUR INDUSTRIAL ESTATE (NORTH),
 AMBATTUR, CHENNAI - 600 098 INDIA.
 Tel:044-39555600

Drawn by: K.S
 Date : 020490
 Base WD: 2S30Q00A
 Job No : ---
 MI No : .

Circuit Diagram No
2S30Q00A
 Issue No
3