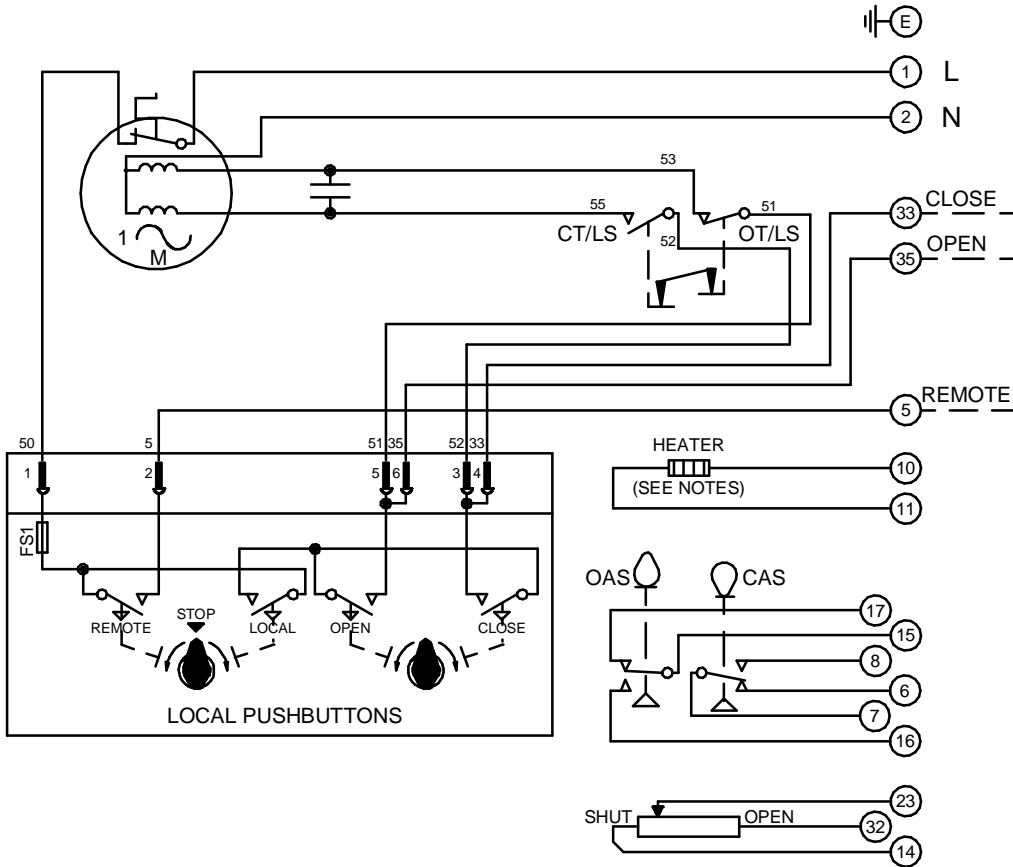


CIRCUIT IS DRAWN FOR A VALVE IN THE FULLY CLOSED POSITION

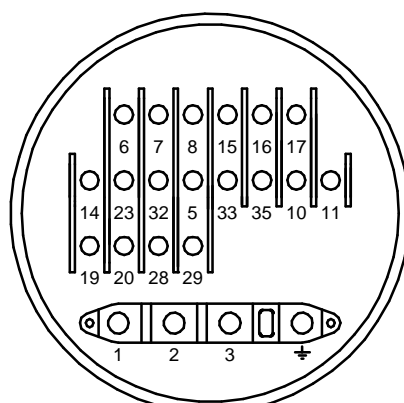
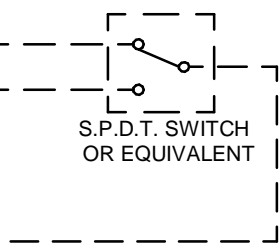
Circuit Diagram No - Issue No

2P32Q00A - 03

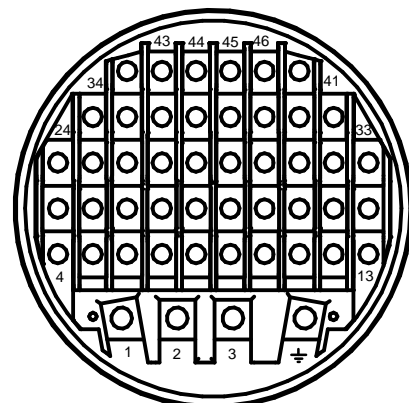
CIRCUIT IS DRAWN FOR A VALVE IN THE FULLY CLOSED POSITION



WARNING
IT IS ESSENTIAL THAT REMOTE CONTROL CIRCUITS ARE DESIGNED SO THAT AN OPEN AND A CLOSE SIGNAL CAN NEVER BE APPLIED SIMULTANEOUSLY.



TERMINAL BUNG (FOR WT ACTUATOR)



TERMINAL BUNG (FOR WTC ACTUATOR)

OT/LS - OPEN TORQUE/LIMIT SWITCH.
CT/LS - CLOSE TORQUE/LIMIT SWITCH.
OAS - OPEN AUXILIARY SWITCH.
CAS - CLOSE AUXILIARY SWITCH.

WIRES ARE IDENTIFIED AT EACH END BY TERMINAL NUMBER OR NUMBER SHOWN.
ALLOW MINIMUM 2 SECOND DELAY WHEN CONTROL SIGNALS ARE REVERSED TO ENSURE MOTOR REVERSAL.
FS1 - 6.3A
12W (MAX) HEATER FITTED AS STANDARD. UNLESS OTHERWISE REQUESTED, HEATERS FITTED WILL BE:
120V (2K OHM) OR 240V (5.62K OHM).

Iss	Date	Chkd	Revision Details
01		PGS	SIMILAR TO 2P32Q00A JOB NO ----
02	260417	JS	PAK TERMINAL BUNG INTRODUCED FOR WTC APPLICATION EC7024.

centork

ROTORK CONTROLS (INDIA) PRIVATE LTD
28B, AMBATTUR INDUSTRIAL ESTATE (NORTH),
AMBATTUR, CHENNAI - 600 098 INDIA.
Tel:044-39555600

Q - STANDARD + PUSHBUTTONS + HEATER + POTENTIOMETER.	Drawn by: K.S Date : 300390 Base WD: 2P32Q00A Job No : --- MI No : .	Circuit Diagram No 2P32Q00A	Issue No 2
--	--	--	-----------------------------