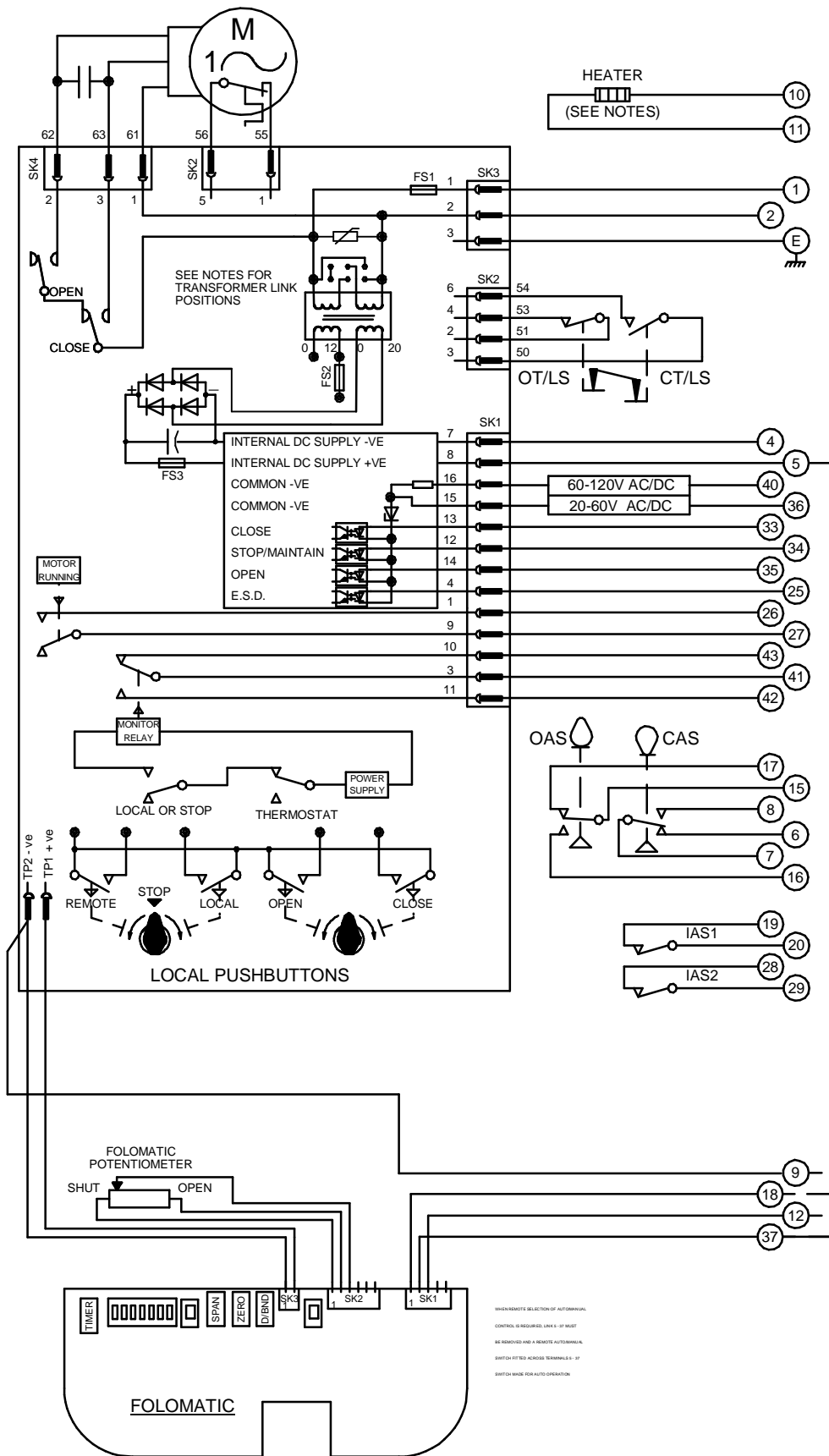


CIRCUIT IS DRAWN FOR A VALVE IN THE FULLY CLOSED POSITION

Circuit Diagram No - Issue No

1P36Q70 - 04



TRANSFORMER VOLTAGE SELECTION



SET SWITCH AS ABOVE FOR 198V - 264V SUPPLIES



SET SWITCH AS ABOVE FOR 99V - 132V SUPPLIES

OT/LS - OPEN TORQUE/LIMIT SWITCH.  
 CT/LS - CLOSE TORQUE/LIMIT SWITCH.  
 OAS - OPEN AUXILIARY SWITCH.  
 CAS - CLOSE AUXILIARY SWITCH.  
 IAS1 & 2 - INTERMEDIATE AUXILIARY SWITCHES ADJUSTABLE TO MAKE OR BREAK INDIVIDUALLY AT ANY POSITION.  
 WIRES ARE IDENTIFIED AT EACH END BY TERMINAL NUMBER OR NUMBER SHOWN.

FS1 - 6.3A  
 FS2 - 250mA  
 FS3 - 160mA  
 TERMINALS 4 & 5 FUSED INTERNALLY AT 160mA  
 12W (MAX) HEATER FITTED AS STANDARD. UNLESS OTHERWISE REQUESTED, HEATERS FITTED WILL BE :  
 120V (2K OHM) OR 240V (5.62K OHM).  
 E.S.D. CONTROL SIGNAL VOLTAGE MUST BE EQUAL TO OR GREATER THAN ALL OTHER CONTROL SIGNAL VOLTAGES.

ANALOGUE INPUTS (FOR DETAILS, SEE ROTORK PUBLICATION AE4/0.1)

MANUAL/AUTO.

WHEN REMOTE SELECTION OF AUTOMANUAL CONTROL IS REQUIRED, LINK 6 - 17 MUST BE REMOVED AND A REMOTE AUTOMANUAL SWITCH FITTED ACROSS TERMINALS 1 - 17 SWITCH MADE FOR AUTO OPERATION

Iss	Date	Chkd	Revision Details
03	220192	T.W	SIMILAR TO 1P36Q70 JOB NO --- SK1 & SK4 PIN NOD CORRECTED. CHECKED K.S.
04	270417	JS	FUSE RATING & TRANSFORMER VOLTAGE SELECTION CHANGED AS PER NEW PCB ECN / 7023

**centork**

ROTORK CONTROLS (INDIA) PRIVATE LTD  
 28B, AMBATTUR INDUSTRIAL ESTATE (NORTH),  
 AMBATTUR, CHENNAI - 600 098 INDIA.  
 Tel:044-39555600

Q-PAK + POT. + HEATER + FOLOMATIC

Drawn by: T.A  
 Date : 270391  
 Base WD: 1P36Q70  
 Job No : --  
 MI No : .

Circuit Diagram No Issue No  
**1P36Q70** **4**