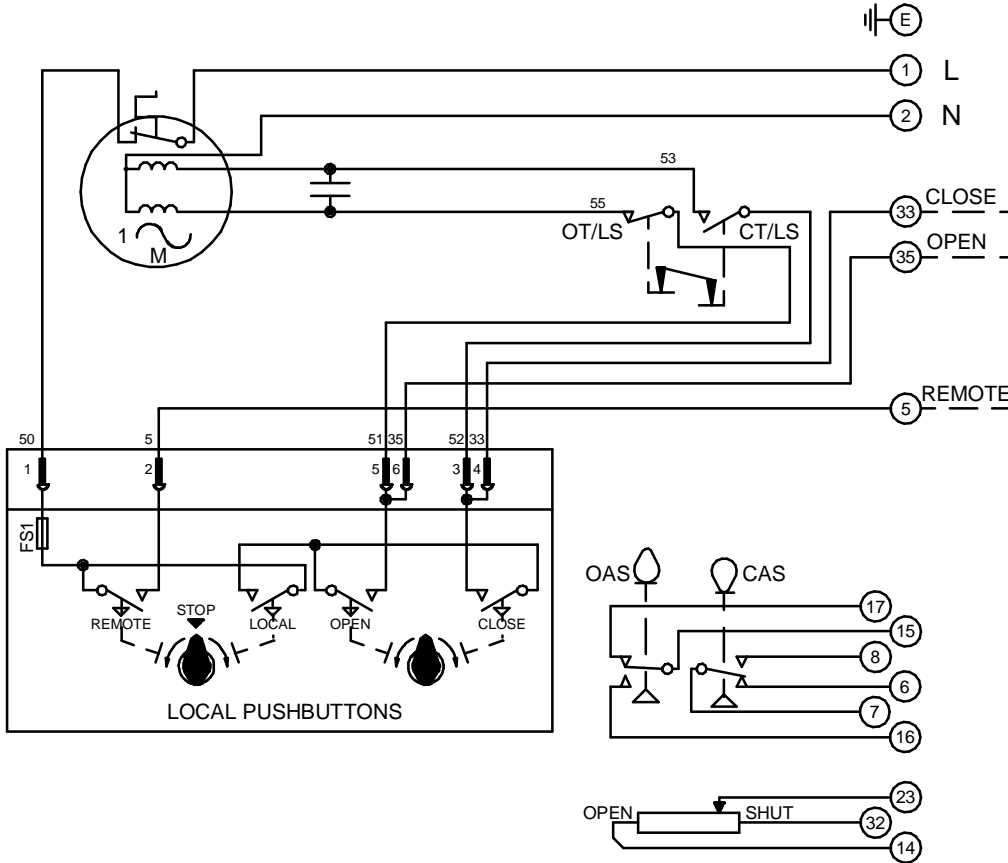


CIRCUIT IS DRAWN FOR A VALVE IN THE FULLY CLOSED POSITION

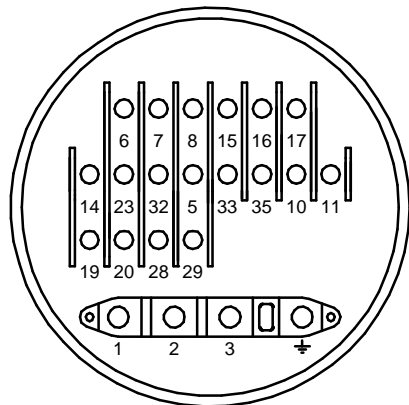
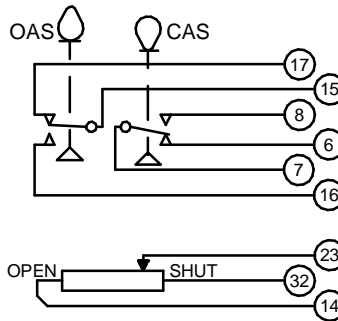
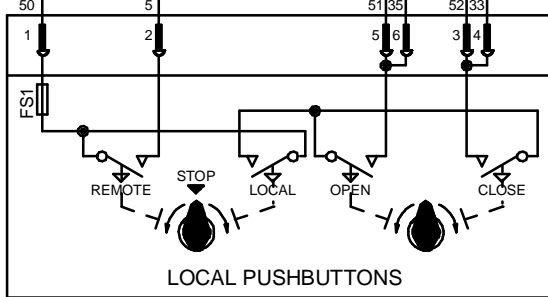
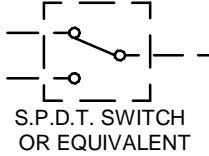
CIRCUIT IS DRAWN FOR A VALVE IN THE FULLY CLOSED POSITION

Circuit Diagram No - Issue No

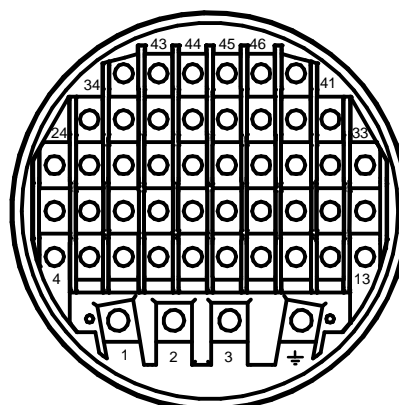
2P02Q00 - 03



WARNING
IT IS ESSENTIAL THAT REMOTE CONTROL CIRCUITS ARE DESIGNED SO THAT AN OPEN AND A CLOSE SIGNAL CAN NEVER BE APPLIED SIMULTANEOUSLY.



TERMINAL BUNG
(FOR WT ACTUATOR)



TERMINAL BUNG
(FOR WTC ACTUATOR)

OT/LS - OPEN TORQUE/LIMIT SWITCH.
CT/LS - CLOSE TORQUE/LIMIT SWITCH.
OAS - OPEN AUXILIARY SWITCH.
CAS - CLOSE AUXILIARY SWITCH.

WIRES ARE IDENTIFIED AT EACH END BY TERMINAL NUMBER OR NUMBER SHOWN.
ALLOW MINIMUM 2 SECOND DELAY WHEN CONTROL SIGNALS ARE REVERSED TO ENSURE MOTOR REVERSAL.
FS1 - 6.3A

Iss	Date	Chkd	Revision Details
01		PGS	SIMILAR TO 2P02Q00 JOB NO ----
02	190292	T.W	WARNING NOTE ADDED. CHECKED K.S 190292
03	260417	JS	PAK TERMINAL BUNG INTRODUCED FOR WTC APPLICATION EC7024.

centork
ROTORK CONTROLS (INDIA) PRIVATE LTD
28B, AMBATTUR INDUSTRIAL ESTATE (NORTH),
AMBATTUR, CHENNAI - 600 098 INDIA.
Tel:044-39555600

Q - STANDARD + PUSHBUTTONS + POTENTIOMETER.

Drawn by: K.S Date : 300390 Base WD: 2P02Q00 Job No : --- MI No : .	Circuit Diagram No 2P02Q00	Issue No 3
---	--------------------------------------	----------------------