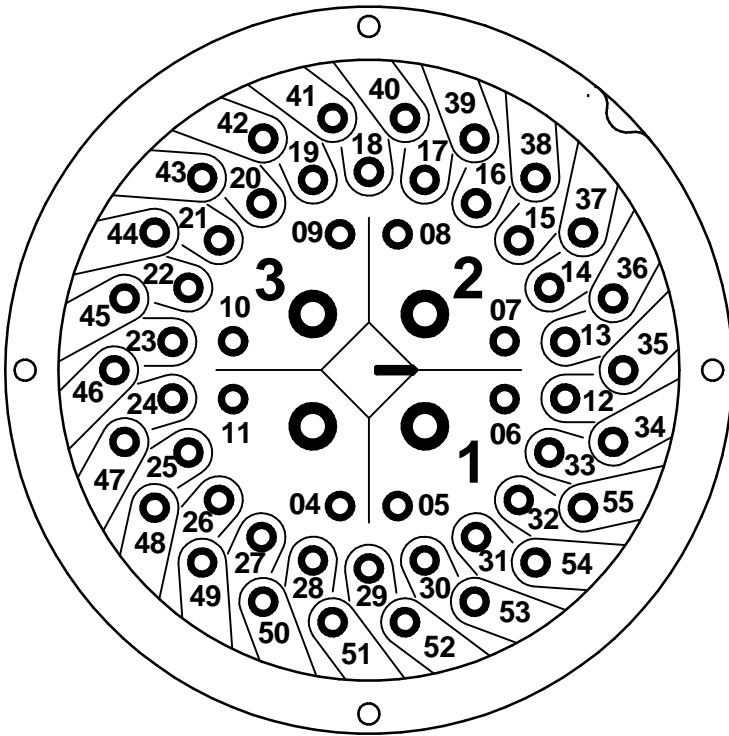


PLUG-AND-SOCKET CONNECTOR LAYOUT



LEGENDS:

- M1** ELECTRIC MOTOR
- CTS** CLOSE TORQUE SWITCH
- OTS** OPEN TORQUE SWITCH
- CLS** CLOSE LIMIT SWITCH
- OLS** OPEN LIMIT SWITCH
- TRM** THERMAL PROTECTION DEVICE (MOTOR WIND).
- HT** ANTI-CONDENSATION HEATER
- BLK** BLINKER SWITCH
- POT** POTENTIOMETER (VALVE POSITION SIGNAL)
- CPT** CURRENT POSITION TRANSMITTER (VALVE POSITION SIGNAL)
- ACTS** AUXILIARY CLOSE TORQUE SWITCH
- AOTS** AUXILIARY OPEN TORQUE SWITCH
- ACLS** AUXILIARY CLOSE LIMIT SWITCH
- AOLS** AUXILIARY OPEN LIMIT SWITCH
- IP1** VALVE MIDDLE TRAVEL POSITION SWITCH(No 1)
- IP2** VALVE MIDDLE TRAVEL POSITION SWITCH(No 2)
- IP3** VALVE MIDDLE TRAVEL POSITION SWITCH(No 3)
- IP4** VALVE MIDDLE TRAVEL POSITION SWITCH(No 4)
- DSM** DIGITAL SWITCH MECHANISM(ELECTRONIC VALVE POSITION AND TORQUE SIGNALS)

NOTES:

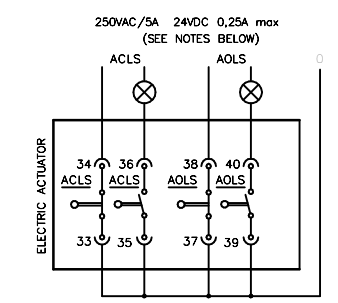
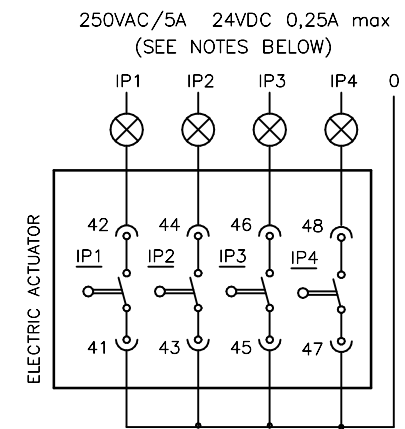
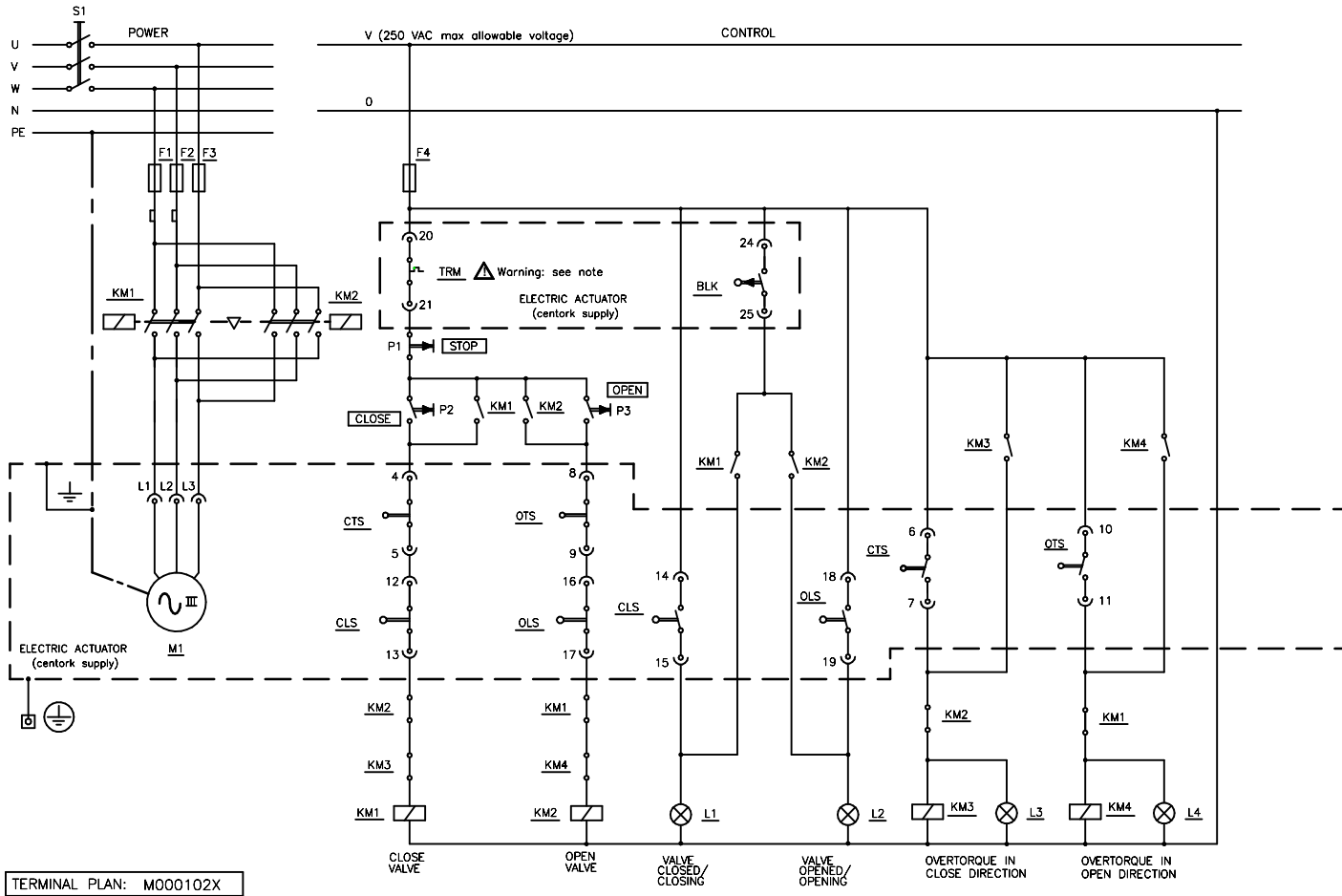
1. THE TERMINAL PLAN SHOWS THE MULTI-TURN ELECTRIC ACTUATOR IN INTERMEDIATE POSITION, ACTUATOR CLOSES VALVE CLOCKWISE.
2. SEE ACTUATOR USER MANUAL AND DATASHEETS FOR TECHNICAL DATA, PARAMETERS AND DESCRIPTION OF THE ACTUATOR ELECTRIC AND ELECTRONIC EQUIPMENT.
3. IF THE ACTUATOR IS CONFIGURED TO BYPASS THE MOTOR PROTECTION THERMOSTAT (TRM), THE ACTUATOR WILL NO LONGER COMPLY WITH THE ESSENTIAL SAFETY REQUIREMENTS.
4. THE USER MUST FIT A CLASS 10 OVERLOAD RELAY. THE RELAY MUST BE SIZED ACCORDING TO THE OVERCURRENT PROT. DEVICE SETTING VALUE FOR THE MOTOR.
5. REFER TO THE MOTOR DATA SHEET FOR THIS VALUE. THE OVERLOAD RELAY MUST BE SIZED TO ENSURE THAT IT TRIPS WITHIN 10 SECONDS IN A FAULT CONDITION.
6. THE USER MUST COMPLETE A RISK ASSESSMENT AND IMPLEMENT WHATEVER MEASURES ARE REQUIRED TO ENSURE THAT THE RESULTANT SYSTEM COMPLIES WITH ALL APPLICABLE LEGISLATION.

PARAMETER	VALUE	DESCRIPTION
TYPE	M	MULTI-TURN ELECTRIC ACTUATOR, STANDARD UNIT (SYNCRESET), MECHANICAL SWITCH MECH
MAIN POWER SUPPLY	0	A.C. THREE PHASE
FEEDBACK ANALOG POS. SIG.	0	STANDARD: NOT INCLUDED (WITHOUT)
HEATER	0	STANDARD: NOT INCLUDED (WITHOUT)
LIMIT SWITCHES	1	STANDARD-EXTRA LIMIT SWITCHES: 2 OPEN AND 2 CLOSE LIMIT SWITCHES (OPOT)
TORQUE SWITCHES	0	STANDARD: 1 OPEN AND 1 CLOSE TORQUE SWITCHES (OPOT)
AUX. MIDDLE TRAVEL SWITCH	2	4 MIDDLE TRAVEL SWITCHES (SETTABLE NO/NC CONTACT, BY CAM 1, AND VISUAL INDICATION DISC)

ISSUE	DATE	ISSUE	DATE
1	FIRST RELEASE	23-06-17	
2	MODIFY SHEET 2 NOTES 5 (3A BY 0.25A)	06-10-20	

SHEET 1/2	DATE	SIGN.	TERMINAL PLAN WD CK-CKR STD, MSM, 3PH, NOCPT, NOHT, LIM+ALS, TOR, IP4	This drawing and the information it contains are property of Rotork Controls Limited, and they will not be reproduced or disclosed, in whole or in part, without the prior written consent of Rotork.
MADE BY	23-06-2017	TAMIL		
CHECKED	23-06-2017	BHARAT		
APPROVED	22/06/2017	JP		

	FORMAT	DRAWING NO
	A4	M000102X - 2



- OPEN/CLOSE by limit switching**
- CTS and OTS act as overload protection for the whole stroke, they interrupt the control circuit when reaching the actuator set tripping torque.
 - OLS interrupts the control circuit when reaching the valve open limit set position.
 - CLS interrupts the control circuit when reaching the valve close limit set position
 - BLK gives information about valve movement.

- OPEN by limit switching / CLOSE by torque switching**
- CTS and OTS act as overload protection for the whole stroke, they interrupt the control circuit when reaching the actuator set tripping torque.
 - OLS interrupts the control circuit when reaching the valve open limit set position.
 - CTS interrupts the control circuit when closing (sealing) the valve. Set the close limit switch CLS shortly before reaching the closed end position
 - BLK gives information about valve movement.

OPEN/CLOSE by limit switching

SWITCH	CLOSED	INTERMEDIATE	OPEN
CTS	4-5		
	6-7		
	8-9		
OTS	10-11		
CLS	12-13		
	14-15		
OLS	16-17		
	18-19		
BLK	24-25		

OPEN by limit switching/CLOSE by torque switching

SWITCH	CLOSED	INTERMEDIATE	OPEN
CTS	4-5		
	6-7		
	8-9		
OTS	10-11		
CLS	12-13		
	14-15		
OLS	16-17		
	18-19		
BLK	24-25		

- NOTES:**
1. THE TERMINAL PLAN SHOWS THE ELECTRIC ACTUATOR IN INTERMEDIATE POSITION, ACTUATOR CLOSES VALVE CLOCKWISE
 2. SEE ACTUATOR USER MANUAL FOR TECHNICAL DATA, PARAMETERS AND DESCRIPTION OF THE ACTUATOR ELECTRIC AND ELECTRONIC EQUIPMENT.
 3. DPDT TORQUEN(CTS, OTS, ACTS, AOTS) AND LIMIT MICROSWITCHES (CLS, OLS, ACLS, AOLS) HAVE 1NO+1NC CONTACTS, ONLY SAME POTENTIAL CAN BE CONNECTED THROUGH BOTH CIRCUITS. STANDARD 250VAC/5A, 24VDC 0,25A. GOLD CONTACT SWITCHE (LOW ENERGI. CIRCUITS) UNDER REQUEST
 4. INTERMEDIATE POSITION SWITCHES, NO/NC CONTACT SETTABLE BY CAM (ACTUATOR)
 5. EXTERNAL POWER SUPPLY FOR HEATER: HEATER MUST BE POWERED ACCORDING TO HEATER RATED VOLTAGE (SEE ACTUATOR ORDER FORM OR ORDER ACKNOWLEDGEMENT), A 250V 50mA QUICK BLOW FUSE MUST BE INSTALLED FOR 120V AND 240V RATED HEATERS
 6. OPT ELECTRONIC POSITION TRANSMITTER: VOLTAGE/CURRENT 2, 3 AND 4 WIRES CONFIGURATIONS ARE POSSIBLE. CHECK PROPER TECHNICAL DATASHEET.
 7. PRECISION POTENTIOMETER (POT): CHECK OHMIC VALUE
 8. IF THE ACTUATOR IS CONFIGURED TO BYPASS THE MOTOR PROTECTION THERMOSTAT (TRM), THE ACTUATOR WILL NO LONGER COMPLY WITH THE ESSENTIAL SAFETY REQUIREMENTS.
 9. THE USER MUST CONDUCT A RISK ASSESSMENT, AND IMPLEMENT WHATEVER EXTRA SAFETY MEASURES ARE REQUIRED, TO ENSURE THAT THE RESULTANT SYSTEM COMPLIES WITH THE LOW VOLTAGE DIRECTIVE, AND ANY OTHER LEGISLATION IN FORCE AT THE INSTALLATION SITE.
 10. A.C. SINGLE PHASE ACTUATORS ARE DELIVERED WITH THEIR CAPACITOR (VALUE INDICATED ON MOTOR NAMEPLATE). CAPACITOR MUST BE INSTALLED IN THE EXTERNAL ELECTRIC CABINET

ISSUE	DATE	ISSUE	DATE
1	FIRST RELEASE	23-06-17	
2	MODIFY SHEET 2 NOTES 3 (3A BY 0.25A).	06-10-20	

SHEET 2/2 DATE 23-06-2017 SIGN. TAMIL
MADE BY 23-06-2017 TAMIL
CHECKED 23-06-2017 BHARAT
APPROVED 22/06/2017 JP

WIRING DRAWING
WD CK-CKR STD, MSM, 3PH,
NOCP, NOHT, LIM+ALS, TOR, IP4

This drawing and the information it contains are property of Rotork Controls Limited, and they will not be reproduced or disclosed, in whole or in part, without the prior written consent of Rotork.

CK range FORMAT A4 DRAWING NO. M000102X - 2