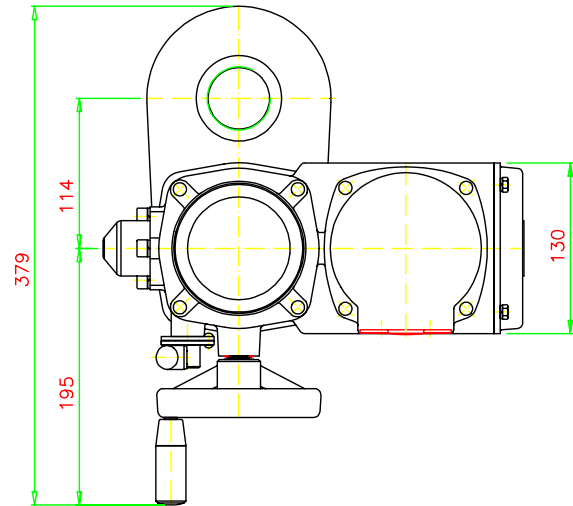
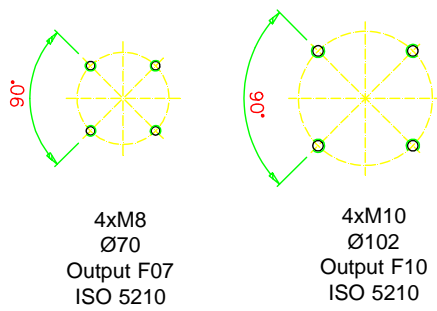
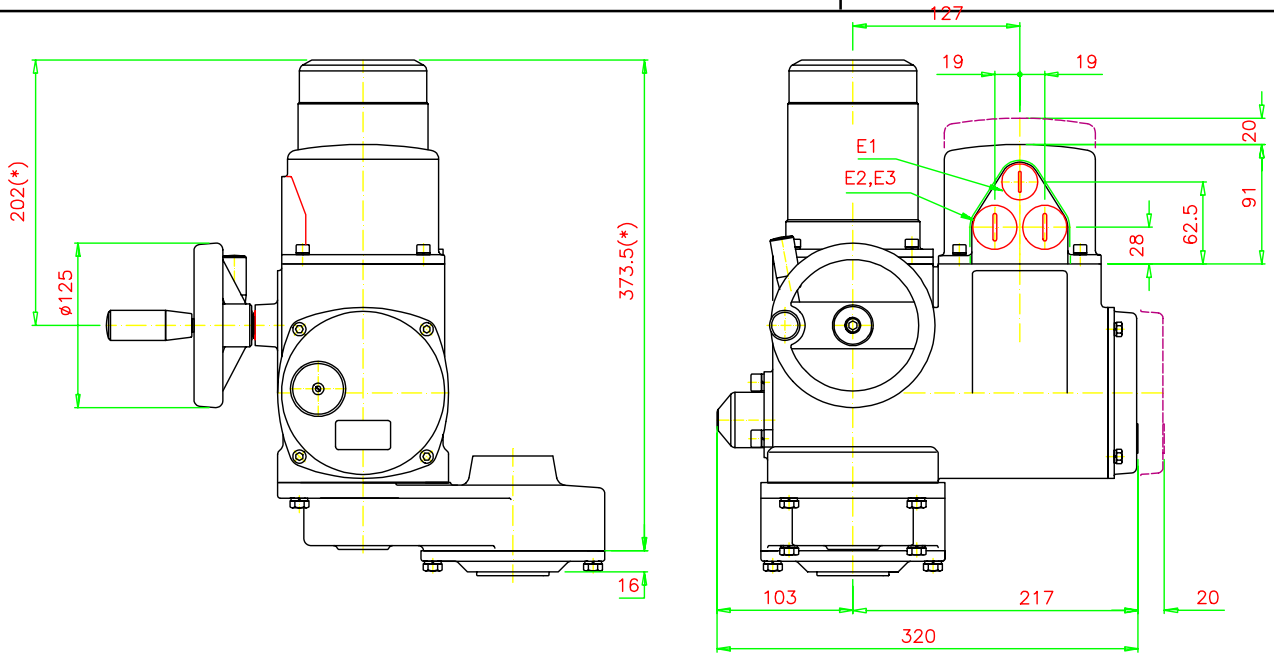


DIMENSIONS 401-003 // 411-003
401-006 // 411-006
401-012 // 411-012

SERIES 401
411



Cables entries:

- Standard configuration
 E1: Pg 16
 E2,E3: Pg 21
- Option NPT:
 E1: ½" NPT
 E2,E3: ¾" NPT
- Option metric:
 E1: M20x1,5
 E2,E3: M25x1,5

Dimensions in mm.

(*) Exact dimensions depending on motor required.

Approximate weight : 32 (Kg.).

Subject to change without notice. Previous data sheets invalid with the issue of the latest data sheets.

VALVE
CONTROL



N° :

E1401B020

Issued:

06.02