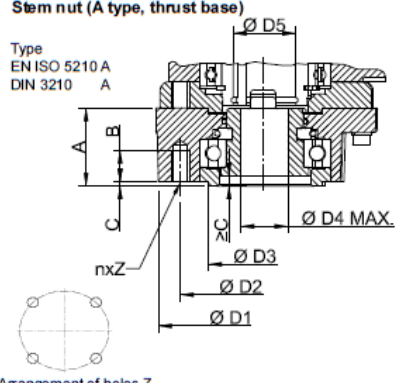
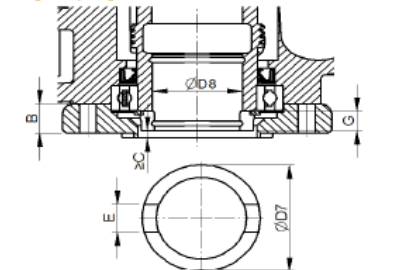
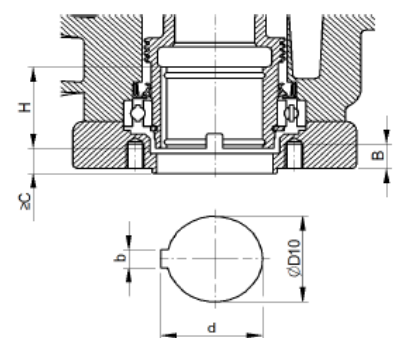
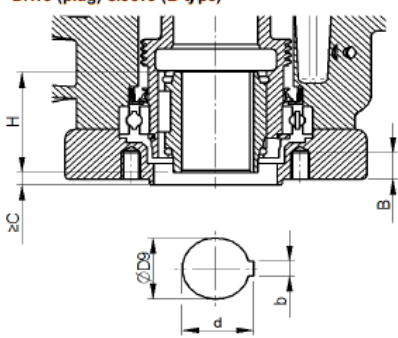


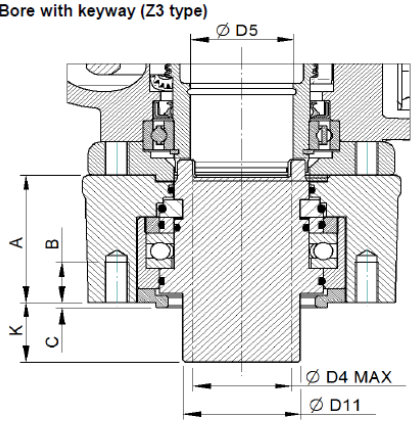
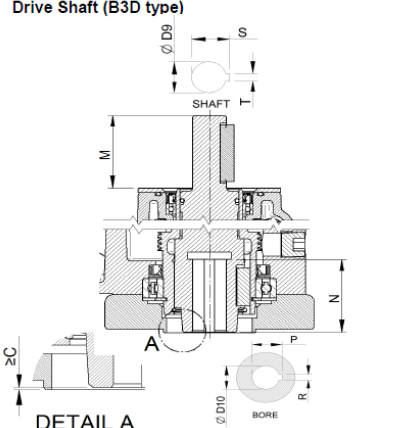
**TITLE: MULTI-TURN ACTUATORS. OUTPUT DRIVES AND VALVE ATTACHEMENT**  
**MODELS: CK, CKR, CKC, CKRC**

Rotork Controls. All rights reserved. Subject to change without notice. Previous data sheets invalid with the issue of the latest data sheets. Due to production tolerance variation, the electrical values shown are averages compiled from Actuator production test data. Values are therefore provided for guidance only. Individual production tests are available on request (nominal load not included). Rotork Controls underwrite rated torque output only (specified tolerance -0/+10%)

Output drives	Dimensions	CK SERIES Multi-turn electric actuator models				
		CK30 CKR30	CK60 CKR60	CK120 CKR120	CK250 CKR250	CK500 CKR500
<b>Stem nut (A type, thrust base)</b>  <p>Type EN ISO 5210 A DIN 3210 A</p> <p>Arrangement of holes Z</p>	ISO 5210	F07	F10	F10	F14	
	A	62	45	59.5	83	
	B	12	18	18	28	
	C	2.5	2.5	2.5	3	
	ØD1	130	130	130	191	
	ØD2	70	102	102	140	
	ØD3	55	70	70	100	
	ØD4	26	34	40	57	
	ØD5	42	42	42	59	
	n	4	4	4	4	
	Z	M8	M10	M10	M16	
	Weight (kg)	3.5	3	4	10.5	
	<b>Dog coupling</b> 	B	15	15	15	24
C		4.5	4.5	3.5	3.5	
E		14	14	14	20	
G		9	9	10	13	
ØD7		54	54	54	85	
ØD8		42	42	42	60	
Weight (kg)		Weight included in actuator				
Missing dimensions refer to output drive A						
<b>Bore with keyway (B type)</b> 	B	12	15	15	24	
	C	12	4.5	3.5	3.5	
	H	40	40	40	65	
	Ø D10 H9	28	42	42	60	
	Ø dy H9	25	35	35	45	
	b JS9	8	12	12	18	
	d	31.3	45.5	45.5	64.4	
	Weight (kg)	Weight included in actuator				
	EN ISO 5210 B1 = ØD10 (b7/t7) EN ISO 5210 B2 <Ø D10> Ødy Bore and keyway (b,d) dimensions, depend on Ø diameter, refer to DIN 6885 Missing dimensions refer to output drive A					
	<b>Drive (plug) sleeve (B type)</b> 	B	12	15	15	24
C		5.5	3.5	3.5	3.5	
H		46	40	40	65	
Ø D9 H9		16	20	20	30	
Ø dy H9		20	30	30	45	
b JS9		5	6	6	8	
d		18.3	22.8	22.8	33.3	
Weight (kg)		0.4	0.4	0.4	1.3	
EN ISO 5210 B3 = ØD9 EN ISO 5210 B4 ≤ Ødy Bore and keyway (b,d) dimensions, depend on Ø diameter, refer to DIN 6885 Missing dimensions refer to output drive A						

Output drives according to EN ISO 5210. Dimensions, in millimeters. Keyway dimensions according to DIN6885.

Rotork Controls. All rights reserved. Subject to change without notice. Previous data sheets invalid with the issue of the latest data sheets. Due to production tolerance variation, the electrical values shown are averages compiled from Actuator production test data. Values are therefore provided for guidance only. Individual production tests are available on request (nominal load not included). Rotork Controls underwrite rated torque output only (specified tolerance -0/+10%)

Output drives	Dimensions	CK SERIES Multi-turn electric actuator models			
		CK30 CKR30	CK60 CKR60	CK120 CKR120	CK250 CKR250
<b>Bore with keyway (Z3 type)</b> 	A	60	42	57	80
	B	12	18	18	28
	C	2.5	2.5	2.5	3
	K	30	40	40	64
	Ø D4	26	34	40	57
	Ø D5	42	42	42	59
	Ø D11	34	43	48	76
	Weight (kg)	3.8	3.1	4.1	12.2
Missing dimensions refer to output drive A					
<b>Drive Shaft (B3D type)</b> 	M	48	48	59	59
	N	48	48	58	58
	Ø D9	20	20	20	30
	Ø D10	20	20	20	30
	P	22.5	22.5	22.5	33
	R	6	6	6	8
	T	6	6	6	8
	S	22.8	22.8	22.8	33.5
	Weight (kg)	1.6	1.6	2.3	5.1
	Missing dimensions refer to output drive A				

All CK range actuators have a B1 output drive type as standard. B3 and B4 are available through the use of adapter sleeves designed to mate with the standard B1 coupling. The A type drive assembly is supplied as a self-contained cartridge assembly, facilitating quick removal and reassembly. Other valve attachments under request. Contact with Rotork